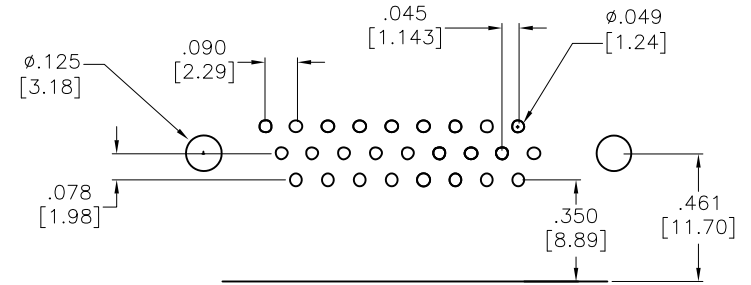
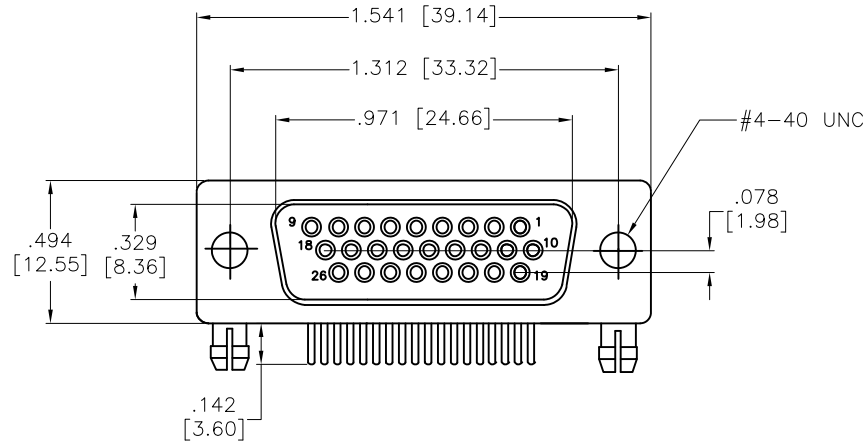
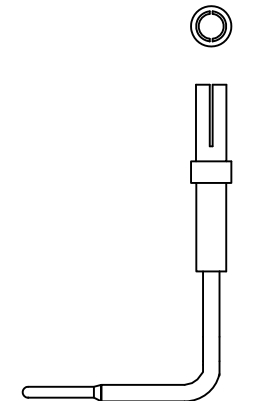
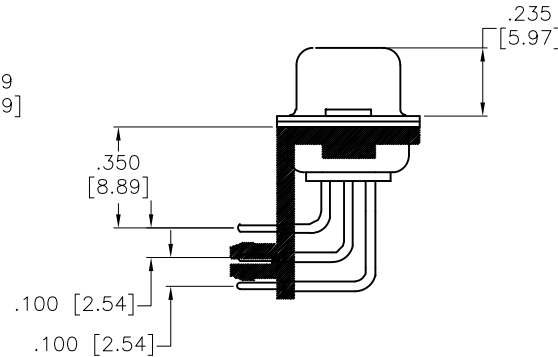
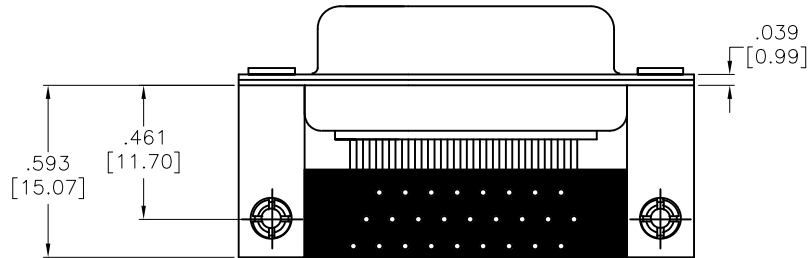


APPROVED: _____
 DATE: _____ TITLE: _____

Rev	AWO #	Description	Date	Appr
-		RELEASED	11/6/13	
A		REVISED SPEC.	3/27/15	AY/LL
B		REVISED SPEC.	04/22/15	AY/LL
C		ADDED SPEC.	7/24/20	AY/AC




RECOMMENDED PCB LAYOUT



MACHINED SINGLE CORE,
2 BEAM CONTACT

SPECIFICATIONS:

Material:
 Insulator: Hi-temp thermoplastic, rated UL 94V-0
 Insulator color: Black
 Contacts: Brass
 Shell: Steel, Tin plated
 Metal Bracket: Steel, Nickel plated
 Boardlock: Brass, Nickel plated
 Plating:
 5u" Gold over Nickel underplate overall
 Electrical:
 Current rating: 5 Amp
 Contact resistance: 10 mohms max
 Insulation resistance: 5,000 Mohms min
 Dielectric withstanding voltage: 1,000 VAC for 1 minute
 Mechanical:
 The mating cycle 500 times. 
 Temperature Rating:
 Operating temperature: -55°C to +125°C
 Environmental:
 Lead free, RoHS compliant



UNLESS OTHERWISE SPECIFIED
 ALL DIMENSIONS ARE INCHES [MM]
 TOLERANCES: EXCEPT AS NOTED

INCHES		HOLES	
.X	± .10	Ø.X	± .10
.XX	± .020	Ø.XX	± .015
.XXX	± .015	Ø.XXX	± .010

ADAM TECH

909 Rahway Avenue, Union, NJ 07083
 Phone: 908-687-5000 Fax: 908-687-5710

APPROVALS		DATE
DRAWN	AY	11/7/13
CHECKED	YC	11/7/13
APPROVED		

TITLE .350 [8.89] FOOTPRINT D-SUB,HIGH DENSITY METAL BRACKETS, #4-40UNC THREADED HOLES		
SIZE X	PART NO. HDL26-SH-H2AM-HT-30	REV. C
REF: S00019T	SCALE: NTS	SHEET 1 OF 1