

6

5

4

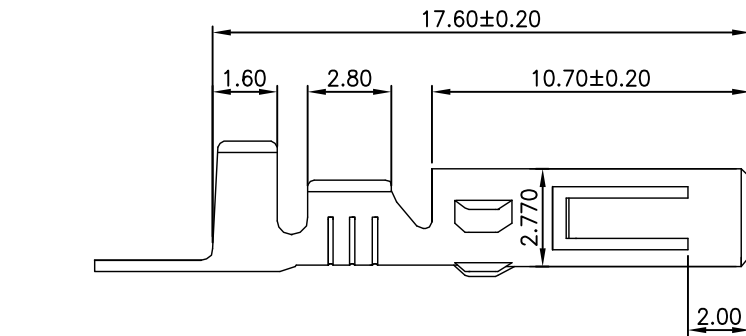
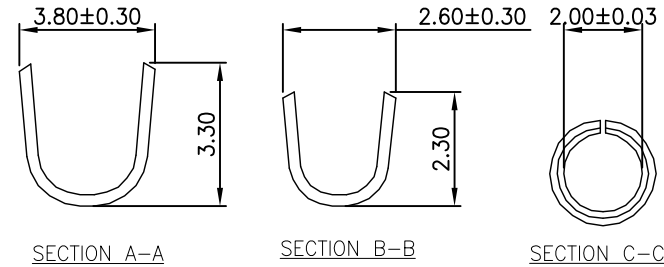
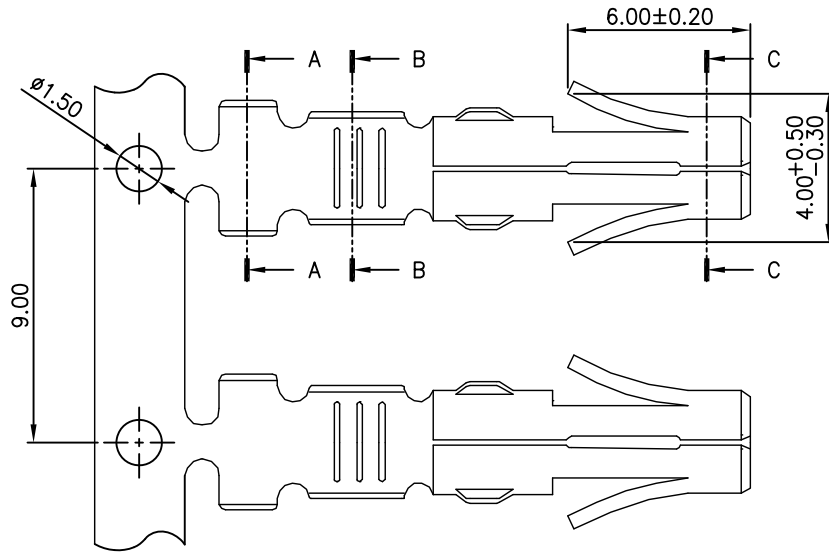
3

2

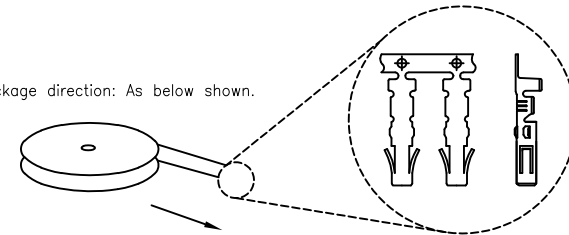
1

APPROVED: \_\_\_\_\_  
DATE: \_\_\_\_\_ TITLE: \_\_\_\_\_

Rev	AWO #	Description	Date	Appr
-		RELEASED	12/2/19	



Reel package direction: As below shown.



Direction

Crimping side upper  
Strip carrier on top.

**SPECIFICATIONS:**

Material:  
Terminal: 0.30MM Thickness, Brass, Tin plated  
Mechanical:  
Wire Range: #18~20 AWG  
Insulator O.D: 2.80~2.55MM  
Environmental:  
Lead free, RoHS compliant



UNLESS OTHERWISE SPECIFIED  
ALL DIMENSIONS ARE MILLIMETERS  
TOLERANCES: EXCEPT AS NOTED

MM	ANGLE
.X ± 0.35	.X° ± 2°
.XX ± 0.25	.X' ± 1°
.XXX ± 0.15	.XX" ± 0.5°

**ADAM TECH INTERCONNECTS**  
909 Rahway Avenue,  
Union, NJ 07083  
Phone: 908-687-5000  
Fax: 908-687-5710

APPROVALS		DATE
DRAWN	OW	12/2/19
CHECKED	AC	12/2/19
APPROVED		

TITLE FEMALE CRIMP FOR DDF SERIES TIN PLATED, ON REELS		
SIZE X	PART NO. DFC-01D-R	REV. -
REF: S00119T	SCALE: NTS	SHEET 1 OF 1

6

5

4

3

2

1