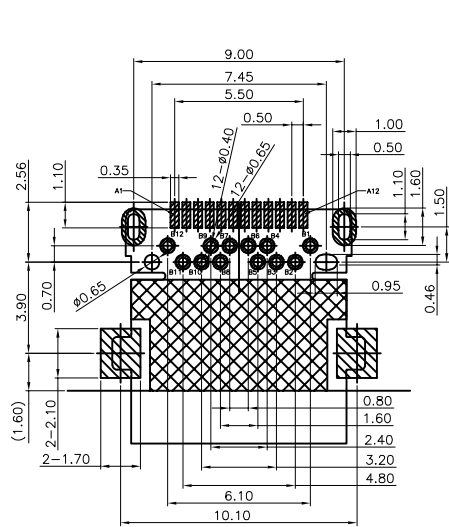


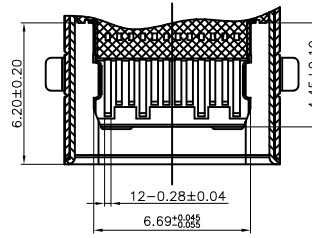
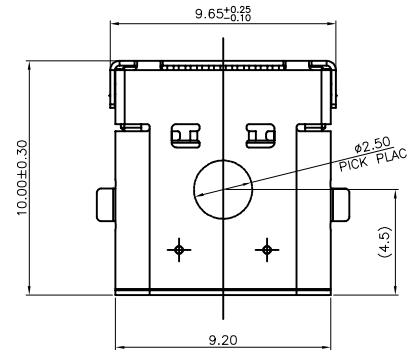
APPROVED: \_\_\_\_\_

DATE: \_\_\_\_\_ TITLE: \_\_\_\_\_

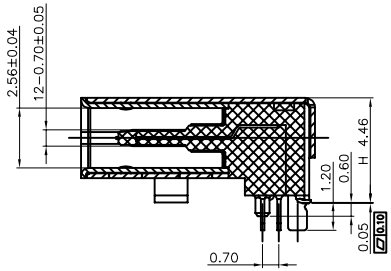
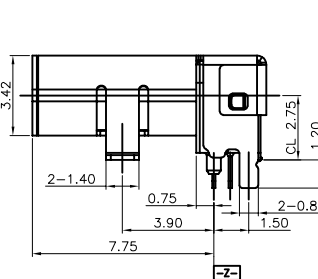
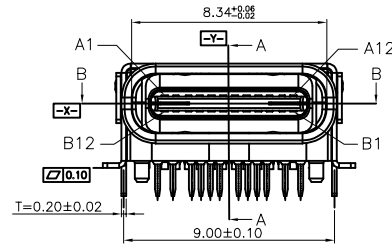
Rev	AWO #	Description	Date	Appr
-		RELEASED	10/25/18	
A		FIXED DIMENSION ON PCB LAYOUT	11/17/20	SS
B		UPDATE DRAWING	11/17/25	LH/OC
C		UPDATE TITLE	5/11/26	LW1/RC



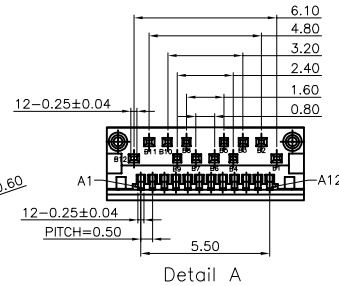
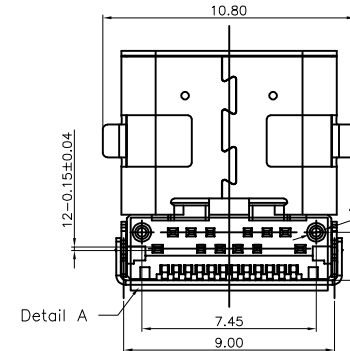
RECOMMEND P.C.B LAYOUT (COMPONENT SIDE)  
 TOLERANCE FOR PCB LAYOUT IS ±0.05  
 ▨ PAD AREA    ▩ NO COPPER AREA  
 □ KEEP OUT AREA    ▤ GND PATTERN ONLY



SECTION B-B



SECTION A-A



Detail A

Pin	Signal Name	Mating Sequence	Pin	Signal Name	Mating Sequence
A1	GND	First	B12	GND	First
A2	SSTXp1	Second	B11	SSRXp1	Second
A3	SSTXn1	Second	B10	SSRXn1	Second
A4	Vbus	First	B9	Vbus	First
A5	CC1	Second	B8	SBU2	Second
A6	Dp1	Second	B7	Dn2	Second
A7	Dn1	Second	B6	Dp2	Second
A8	SBU1	Second	B5	CC2	Second
A9	Vbus	First	B4	Vbus	First
A10	SSRXn2	Second	B3	SSTXn2	Second
A11	SSRXp2	Second	B2	SSTXp2	Second
A12	GND	First	B1	GND	First
SHELL	GND		SHELL	GND	

**SPECIFICATIONS:**

**Material:**

Insulator: Hi-temp thermoplastic, rated UL 94V-0

Insulator color: Black

Contacts: Copper alloy

Shell: Stainless steel, Nickel plated

Cover shell: Copper alloy, Nickel plated

Inner ground cover shell: Stainless Steel, Clean

Mid plate: Stainless Steel, Clean

**Plating:**

Gold flash over Nickel underplate on contact area,

Matte Tin over Nickel underplate on solder tails.

**Electrical:**

Current rating: 5 A (Power supply pin: A1, A4, A9, A12, B1, B4, B9, B12)

1.25 A (Vconn pin)

0.25 A (Other signal pin)

Contact resistance: 40 mohms max 10 mohms change after test,

measure @ 20mV, 100 mA

Insulation resistance: 100 Mohms min.

Dielectric withstanding: 100 VAC RMS

**Mechanical:**

Insertion force: 5~20N

Withdrawal force: 6~20N After test

Durability: 10,000 Cycles

**Temperature Rating:**

Operating temperature: -40°C to +85°C

**Environmental:**

Lead free, RoHS compliant.



**PACKAGED ON TAPE & REEL**

UNLESS OTHERWISE SPECIFIED ALL DIMENSIONS ARE MILLIMETERS. TOLERANCES: EXCEPT AS NOTED		
MM	X. ± 0.50	ANGLE ± 2'
	.X ± 0.30	
	.XX ± 0.20	
	.XXX ± 0.10	
DRAWN	AY	10/25/18
CHECKED	CK	10/25/18
APPROVED		

**CONFIDENTIAL AND PROPRIETARY**  
 © Adam Tech. All rights reserved. This document contains confidential and proprietary information belonging to Adam Tech. It is provided solely for design and reference purposes by authorized parties. Any reproduction, distribution, display, or disclosure to third parties, in whole or in part, without the prior written consent of Adam Tech, is strictly prohibited. Adam Tech retains all rights, including copyright, trademark, trade secret, and all other intellectual property rights worldwide.

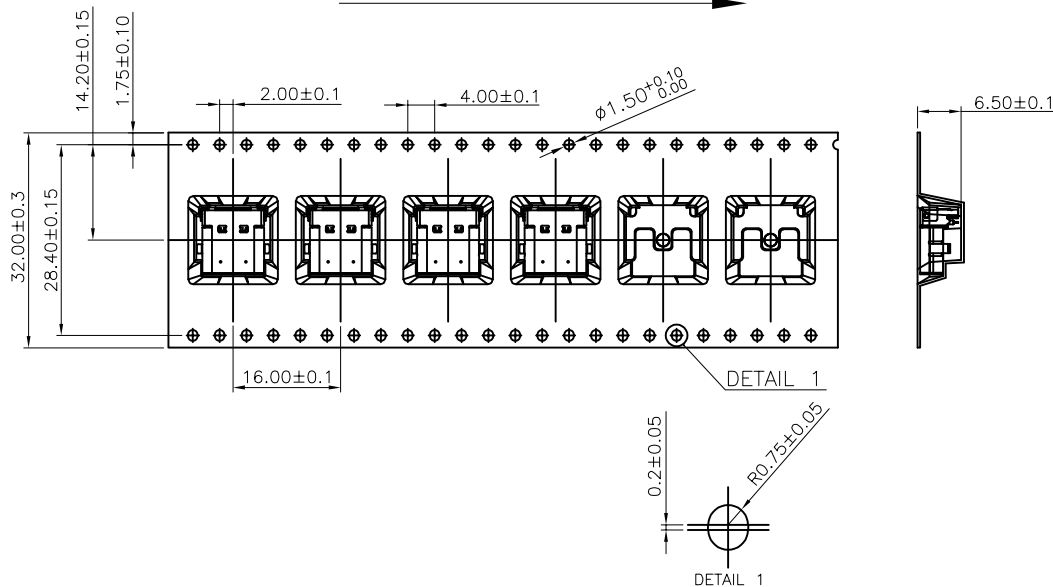
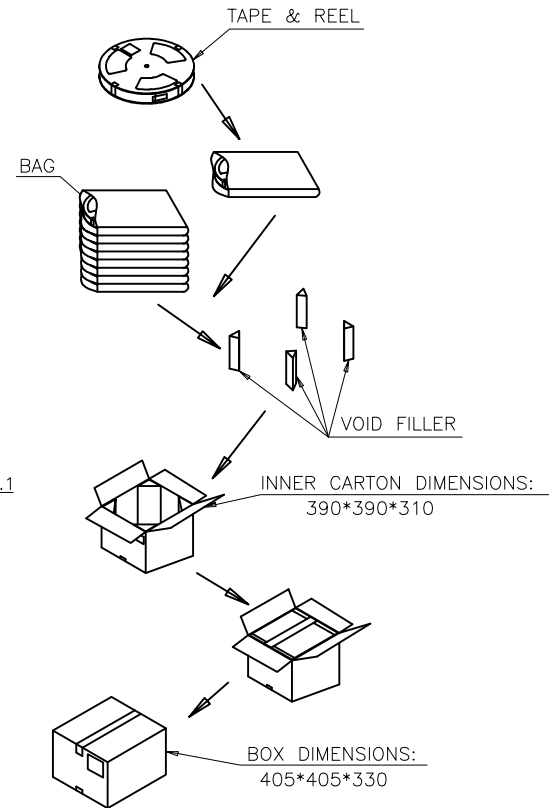
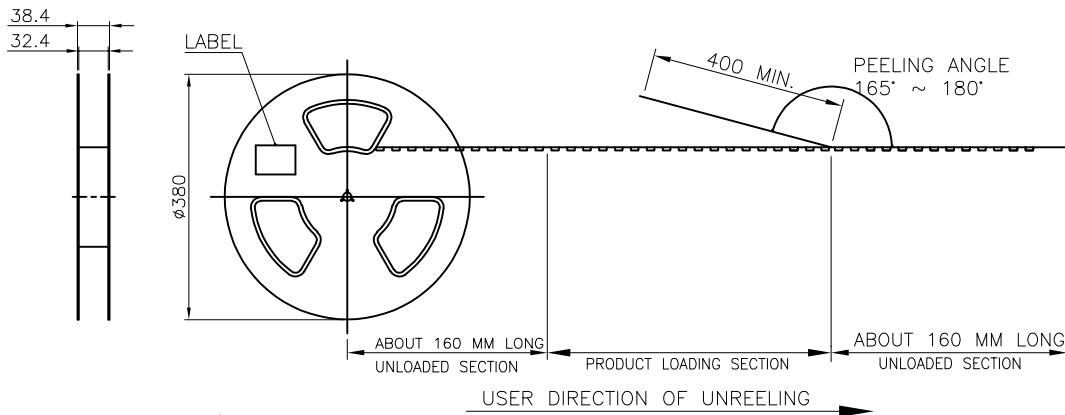
**ADAM TECH** 909 Rahway Avenue,  
 Union, NJ 07083  
 Phone: 908-687-5000  
 adam-tech.com

TITLE: UNIVERSAL SERIAL BUS, TYPE C, FEMALE, RIGHT ANGLE, CL2.75 H4.46mm HYBRID TYPE TRANSMISSION EFFICIENCY: USB 3.2 Gen 2x2 (20Gb/s)		
SIZE X	PART NO. USB-C31-S-RA-CS1E-BK-T/R	REV. C
REF: S00296T	SCALE: NTS	SHEET 1 OF 2

APPROVED: \_\_\_\_\_

DATE: \_\_\_\_\_ TITLE: \_\_\_\_\_

Rev	AWO #	Description	Date	Appr
SEE SHT 1 OF 2 FOR REVISION				



800	8	6400 PCS	-- KG	-- KG
PCS/ REEL	REELS/ CARTON	QUANTITY	GROSS WEIGHT	NET WEIGHT

NOTE:

- MATERIAL:  
BOX: FIBREBOARD, CORRUGATED, DOUBLE WALL  
TAPE: POLYSTYRENES, HEAT-RESISTANT TEMPERATURE: 120°C, BLACK COLOR.  
REEL: POLYSTYRENES, HEAT-RESISTANT TEMPERATURE: 70°C, BLUE COLOR.  
BAG: POLYETHYLENE, HEAT-RESISTANT TEMPERATURE: 100°C.
- PEELING STRENGTH: 0.1 ~ 1.3 N (10 ~ 130 GRAMS)
- PEELING SPEED: 300 mm/min.
- EACH BAG SHALL BE INCLUDED DESICCANT.

Unit: mm

UNLESS OTHERWISE SPECIFIED ALL DIMENSIONS ARE MILLIMETERS. TOLERANCES: EXCEPT AS NOTED		
X.	± 0.50	
.X	± 0.30	ANGLE ± 2'
.XX	± 0.20	
.XXX	± 0.10	
DRAWN	AY	10/25/18
CHECKED	CK	10/25/18
APPROVED		
CONFIDENTIAL AND PROPRIETARY © Adam Tech. All rights reserved. This document contains confidential and proprietary information belonging to Adam Tech. It is provided solely for design and reference purposes by authorized parties. Any reproduction, distribution, display, or disclosure to third parties, in whole or in part, without the prior written consent of Adam Tech, is strictly prohibited. Adam Tech retains all rights, including copyright, trademark, trade secret, and all other intellectual property rights worldwide.		

**ADAM TECH** 909 Rahway Avenue,  
Union, NJ 07083  
Phone: 908-687-5000  
adam-tech.com

TITLE: UNIVERSAL SERIAL BUS, TYPE C, FEMALE,  
RIGHT ANGLE, CL2.75 H4.46mm HYBRID TYPE  
TRANSMISSION EFFICIENCY: USB 3.2 Gen 2x2 (20Gb/s)

SIZE X	PART NO. USB-C31-S-RA-CS1E-BK-T/R	REV. C
REF: S00296T	SCALE: NTS	SHEET 2 OF 2