

6

5

4

3

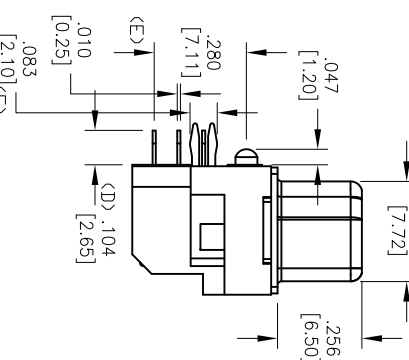
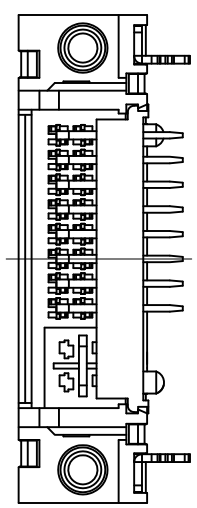
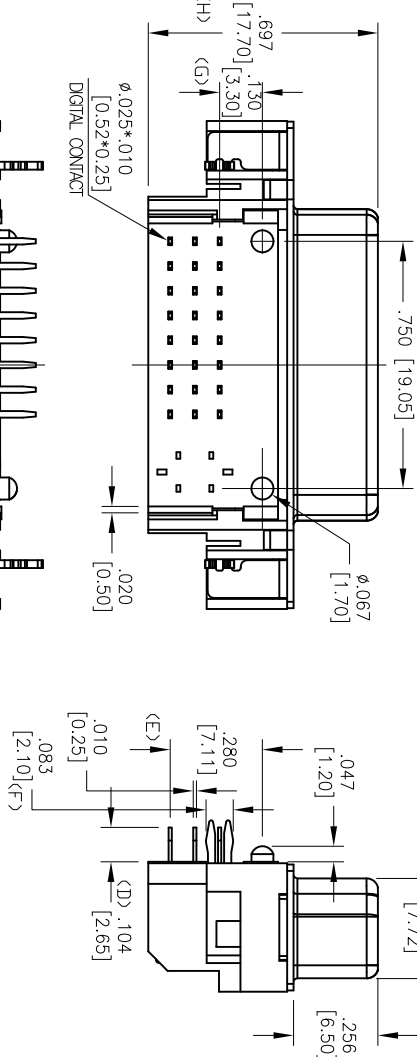
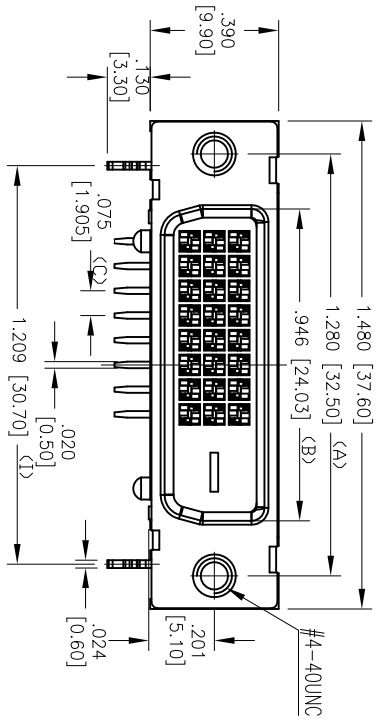
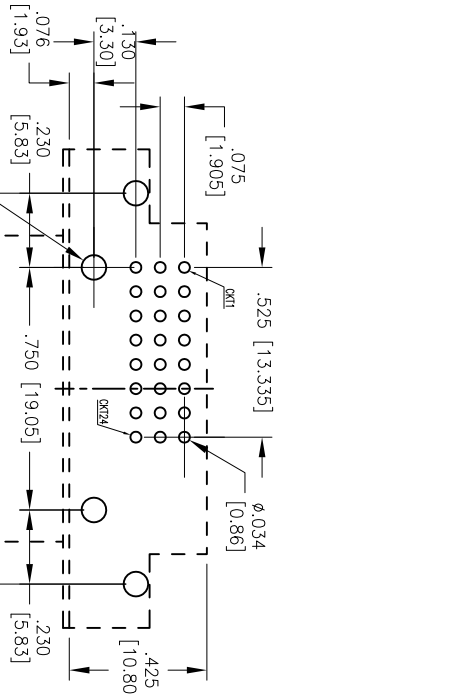
2

1

APPROVED: \_\_\_\_\_

DATE: \_\_\_\_\_ TITLE: \_\_\_\_\_

Rev	AWO #	Description	Date	Appr
-		RELEASED	5/11/05	
A		REVISED DIM.	8/17/11	
B		REDRAWN	11/11/11	
C		UPDATE SHAPE	10/15/14	HR/NP
D		UPDATE SHAPE & DIM.	11/19/14	AV/NP



6

5

4

3

2

1

**SPECIFICATIONS:**

Material: Insulator: PBT, glass reinforced, rated UL 94V-0  
 Insulator color: Ivory  
 Latch: PA66, rated UL 94V-0, color: Ivory  
 Contacts: Copper Alloy  
 Shell: SPCC, Nickel plated  
 Boardlock: SPCC, Tin plated  
 Plating:  
 Gold flash over Nickel underplate on mating area,  
 Tin over Copper underplate on tails  
 Electrical:  
 Operating voltage: 40 VAC max  
 Current rating: 1.5 Amps max  
 Contact resistance: 20 mohms max  
 Insulation resistance: 1,000 Mohms min  
 Dielectric withstanding voltage: 500 VDC for 1 minute  
 Temperature Rating:  
 Operating temperature: -55°C to +85°C  
 Environmental:  
 Lead free, RoHS compliant

**ADAM TECH**

909 Railway Avenue, Union, NJ 07083  
 Phone: 908-687-5000 Fax: 908-687-5710

TITLE: DIGITAL VIDEO INTERFACE SOCKET  
 RIGHT ANGLE, PCB TAILS, DIGITAL

UNLESS OTHERWISE SPECIFIED ALL DIMENSIONS ARE IN INCHES [MM]		TOLERANCES: EXCEPT AS NOTED	
.X	± .10	ØX	± .10
.XX	± .020	ØXXX	± .015
.XXX	± .015	ØXXX	± .010
APPROVALS		DATE	
DRAWN	SS	5/11/05	
CHECKED			
APPROVED			
SIZE	PART NO.	SCALE	REV.
X	DVLSL-24-1	NIS	D
REF:	S0002T	SHEET	1 OF 1

6

5

4

3

2

1

