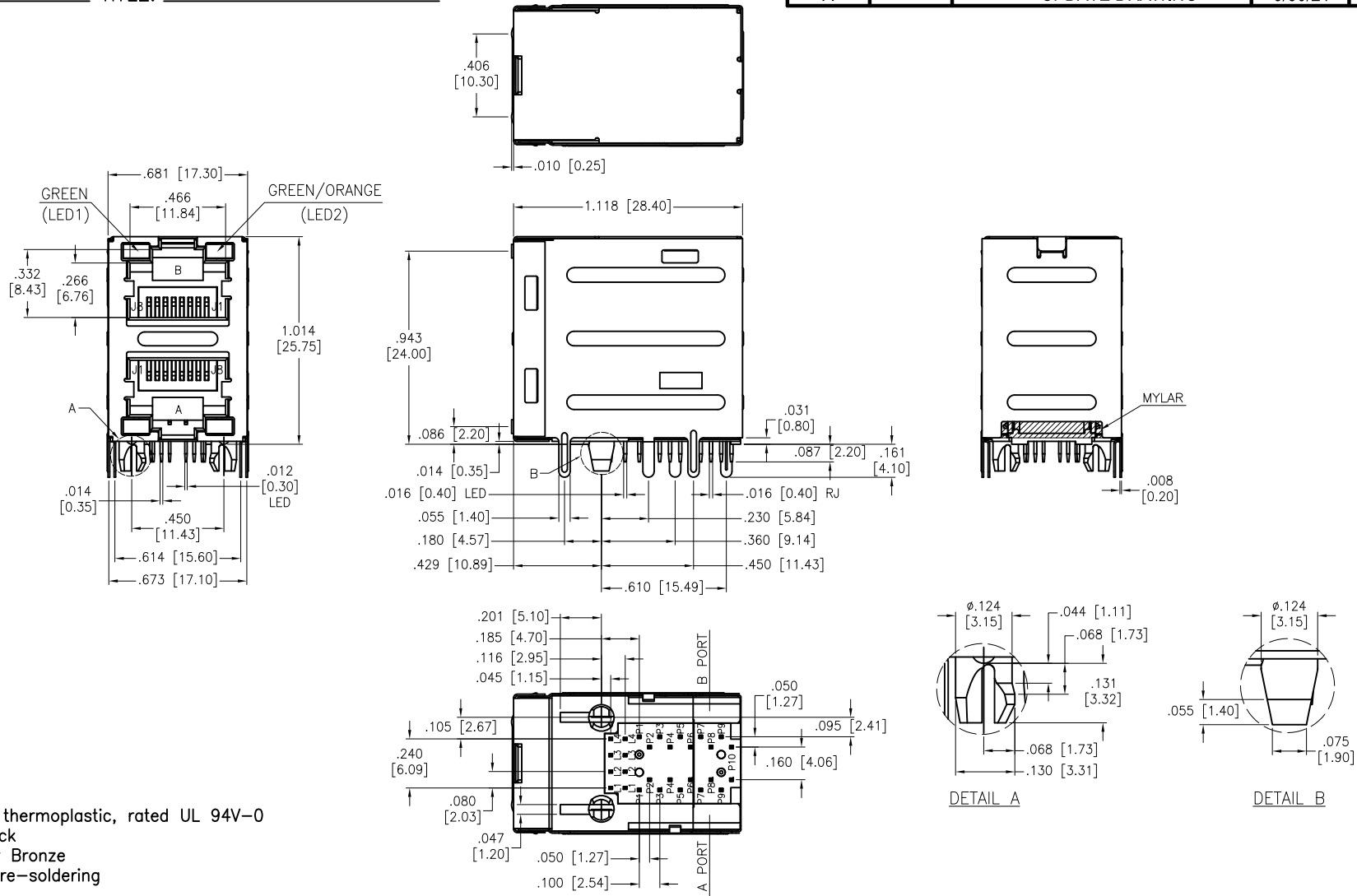


APPROVED: _____
 DATE: _____ TITLE: _____

Rev	AWO #	Description	Date	Appr
-		RELEASED	7/2/15	
A		UPDATE DRAWING	8/30/21	WX/RC



SPECIFICATIONS:

Material:
 Insulator: Hi-temp thermoplastic, rated UL 94V-0
 Insulator color: Black
 Contacts: Phosphor Bronze
 Shield: Stainless, Pre-soldering
 Contact Plating:
 Flat contact
 Gold over Nickel underplate on contact area,
 Tin over Copper underplate on solder tails
 Round contact
 Gold over Nickel underplate overall
 Electrical:
 Insulation resistance: 500 Mohms min
 Dielectric withstanding voltage: 1,000 VDC for 1 minute
 Temperature Rating:
 Operating temperature: 0°C to +70°C
 Environmental:
 Lead free, RoHS compliant.



UNLESS OTHERWISE SPECIFIED ALL DIMENSIONS ARE INCHES [MM]. TOLERANCES: EXCEPT AS NOTED

INCHES	HOLES
.X ± .10	ØX ± .10
.XX ± .020	ØXX ± .015
.XXX ± .015	ØXXX ± .010

DRAWN	HR	7/2/15
CHECKED	NP	7/2/15
APPROVED		

THIS DRAWING CONTAINS INFORMATION THAT IS PROPRIETARY AND SHOULD NOT BE USED WITHOUT PRIOR WRITTEN PERMISSION FROM ADAM TECH

ADAM TECH 909 Rahway Avenue,
 Union, NJ 07083
 Phone: 908-687-5000
 Fax: 908-687-5710

TITLE: MODULAR JACK GANGED, 2X1 PORT, 8P8C
 W/LED1 GREEN, LED2 GREEN / ORANGE

SIZE	PART NO.	REV.
X	MTJG-2-88JX1-V-FSG-L36-M268Y	A

REF: S00101C SCALE: NTS SHEET 1 OF 2

6

5

4

3

2

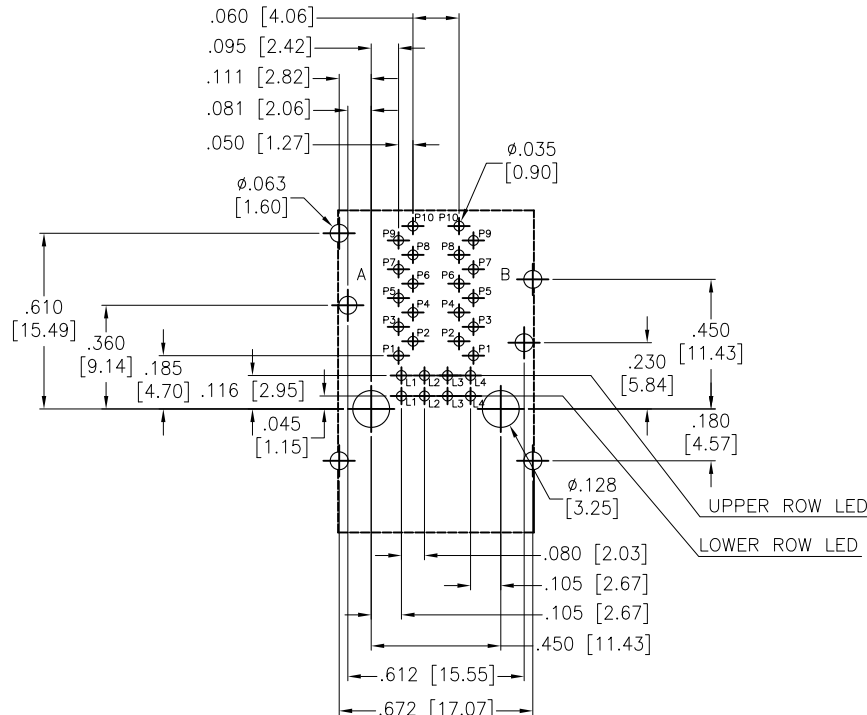
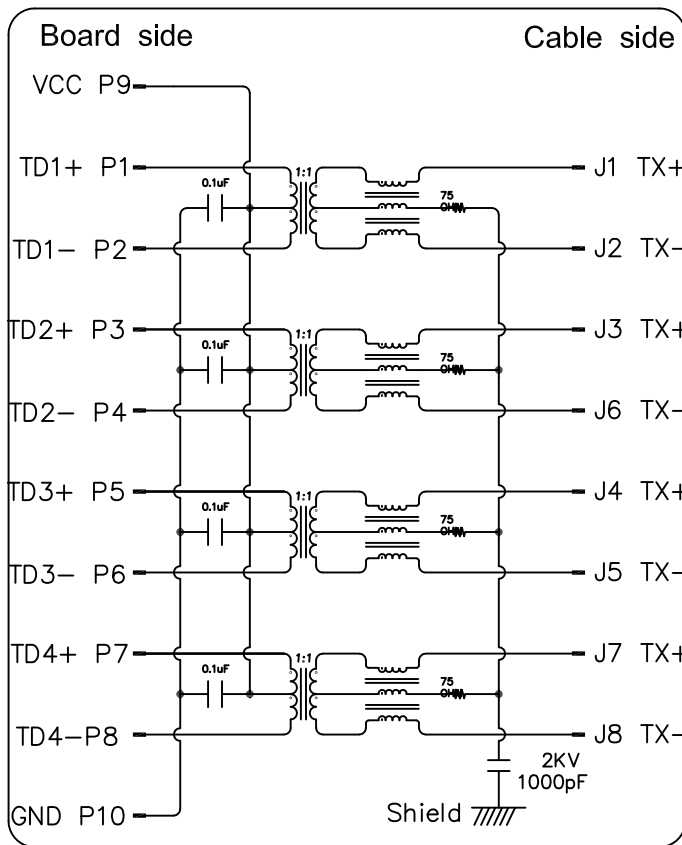
1

APPROVED: _____

DATE: _____ TITLE: _____

Rev	AWO #	Description	Date	Appr
-----	-------	-------------	------	------

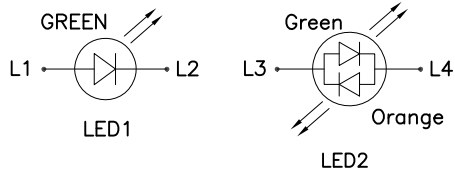
SEE SHT 1 OF 2 FOR REVISION



RECOMMENDED PCB LAYOUT

ELECTRICAL CHARACTERISTICS :

- 1. INSERTION LOSS :**
- 1~100 MHz -1.0dB MAX.
- 2. RETURN LOSS(LOAD 100Ω) :**
- 1~30 MHz -18dB MIN
- 30~60 MHz -16dB MIN
- 60~80 MHz -12dB MIN
- 80~100 MHz -10dB MIN
- 3. COMMON MODE REJECTION**
- 1~100 MHz -30dB MIN
- 4. CROSS TALK**
- 1~100 MHz -30dB MIN
- 5. OCL @ 100KHz, 0.1V, 8mA DC BIAS**
- (P1-P2),(P3-P4),(P5-P6),(P7-P8) : 350 uH MIN
- 6. DCR**
- (J1-J2),(J3-J6),(J4-J5),(J7-J8) : 1.2Ω MAX
- 7. HI-POT TEST**
- PCB SIDE TO CABLE SIDE : 1500VAC 60S OR 2250VDC 60S
- 8. TURNS RATION 100KHz**
- (P1-P2) : (J1-J2) = 1:1 ±5%
- (P3-P4) : (J3-J6) = 1:1 ±5%
- (P5-P6) : (J4-J5) = 1:1 ±5%
- (P7-P8) : (J7-J8) = 1:1 ±5%



UNLESS OTHERWISE SPECIFIED ALL DIMENSIONS ARE INCHES [MM]. TOLERANCES: EXCEPT AS NOTED		
INCHES	HOLES	
.X ± .10	∅X	±.10
.XX ± .020	∅XX	±.015
.XXX ± .015	∅XXX	±.010
DRAWN	HR	7/2/15
CHECKED	NP	7/2/15
APPROVED		
THIS DRAWING CONTAINS INFORMATION THAT IS PROPRIETARY AND SHOULD NOT BE USED WITHOUT PRIOR WRITTEN PERMISSION FROM ADAM TECH		

ADAM TECH

909 Rahway Avenue,
Union, NJ 07083
Phone: 908-687-5000
Fax: 908-687-5710

TITLE: **MODULAR JACK GANGED, 2X1 PORT, 8P8C W/LED1 GREEN, LED2 GREEN / ORANGE**

SIZE	PART NO.	REV.
X	MTJG-2-88JX1-V-FSG-L36-M268Y	A
REF: S00101C	SCALE: NTS	SHEET 2 OF 2

6

5

4

3

2

1