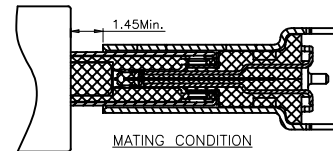
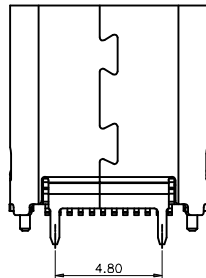
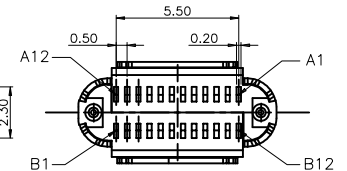
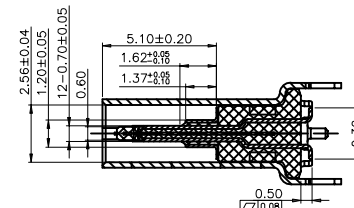
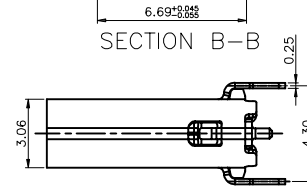
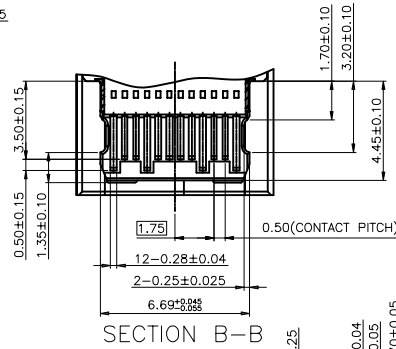
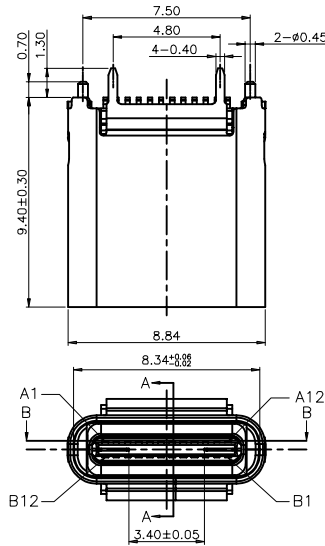
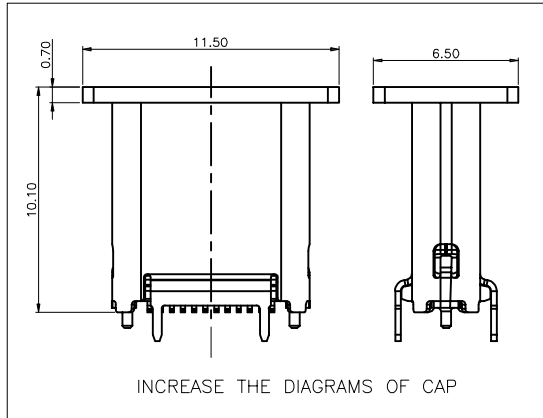


APPROVED: \_\_\_\_\_

DATE: \_\_\_\_\_ TITLE: \_\_\_\_\_

Rev	AWO #	Description	Date	Appr
-		RELEASED	5/28/18	
A		ADDED PACKING	1/14/20	AY/OC
B		ADDED PACKING	1/14/20	AY/OC
C		UPDATE DRAWING	7/1/24	LH/LX
D		UPDATE TITLE	5/11/26	WY/RC



**SPECIFICATIONS:**

Material:  
 Insulator: Hi-temp thermoplastic, rated UL 94V-0  
 Insulator color: Black  
 Contacts: Copper Alloy  
 Shell: Stainless Steel, Nickel plated  
 Plating:  
 Gold flash over Nickel underplate on contact area,  
 Matte Tin over Nickel underplate on solder tails.  
 Electrical:

Current rating: 5 A (Vbus)  
 1.25 A (Vconn)  
 Contact resistance: 40 mohms max. (Initial)  
 10 mohms max. (After test) @ 20 mV, 100 mA  
 Insulation resistance: 100 Mohms min.  
 Dielectric withstanding: 100 VAC R.M.S  
 Mechanical:  
 Insertion force: 5~20 N  
 Withdrawal force: 6~20 N (After test)  
 Durability: 10,000 Cycles  
 Temperature Rating:  
 Operating temperature: -40°C to +85°C  
 Environmental:  
 Lead free, RoHS compliant.



**PACKAGED ON TAPE & REEL**

UNLESS OTHERWISE SPECIFIED ALL DIMENSIONS ARE MILLIMETERS. TOLERANCES: EXCEPT AS NOTED		
MM	X ± 0.50	ANGLE ± 2°
	.X ± 0.30	
	.XX ± 0.20	
	.XXX ± 0.10	
DRAWN	AY	5/28/18
CHECKED	LW	5/28/18
APPROVED		



909 Rahway Avenue,  
 Union, NJ 07083  
 Phone: 908-687-5000  
 adam-tech.com

TITLE UNIVERSAL SERIAL BUS, TYPE C 3.1, FEMALE, VERTICAL, BLACK INSULATOR, TAPE AND REEL TRANSMISSION EFFICIENCY: USB 3.2 Gen 2x2 (20Gb/s)

SIZE X	PART NO. USB-C31-S-VT-CS2A-BK-PP-T/R	REV. D
REF: S00296T	SCALE: NTS	SHEET 1 OF 3

**CONFIDENTIAL AND PROPRIETARY**  
 © Adam Tech. All rights reserved. This document contains confidential and proprietary information belonging to Adam Tech. It is provided solely for design and reference purposes by authorized parties. Any reproduction, distribution, display, or disclosure to third parties, in whole or in part, without the prior written consent of Adam Tech, is strictly prohibited. Adam Tech retains all rights, including copyright, trademark, trade secret, and all other intellectual property rights worldwide.

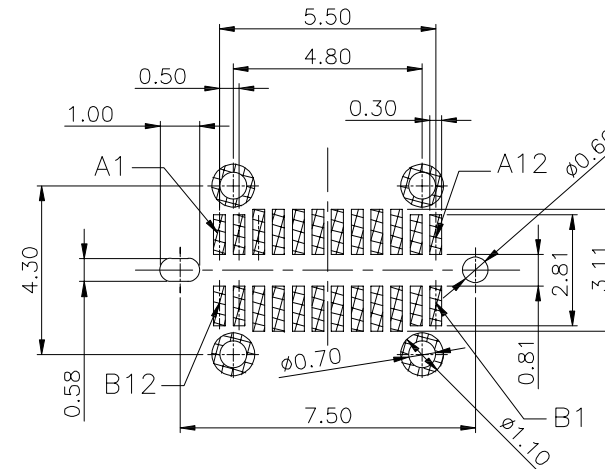
APPROVED: \_\_\_\_\_

DATE: \_\_\_\_\_ TITLE: \_\_\_\_\_

Rev AWO # Description Date Appr

SEE SHT 1 OF 3 FOR REVISION

Pin	Signal Name	Mating Sequence	Pin	Signal Name	Mating Sequence
A1	GND	First	B12	GND	First
A2	SSTXp1	Second	B11	SSRXp1	Second
A3	SSTXn1	Second	B10	SSRXn1	Second
A4	V <sub>BUS</sub>	First	B9	V <sub>BUS</sub>	First
A5	CC1	Second	B8	SBU2	Second
A6	Dp1	Second	B7	Dn2	Second
A7	Dn1	Second	B6	Dp2	Second
A8	SBU1	Second	B5	CC2	Second
A9	V <sub>BUS</sub>	First	B4	V <sub>BUS</sub>	First
A10	SSRXn2	Second	B3	SSTXn2	Second
A11	SSRXp2	Second	B2	SSTXp2	Second
A12	GND	First	B1	GND	First
SHELL	GND		SHELL	GND	



RECOMMEND P.C.B LAYOUT (COMPONENT SIDE)

STENCIL THE RECOMMENDATION FOR  
THE THICKNESS OF 0.10- 0.12mm  
TOLERANCE FOR PCB LAYOUT IS  $\pm 0.05$

KEEP OUT AREA

UNLESS OTHERWISE SPECIFIED ALL DIMENSIONS  
ARE MILLIMETERS. TOLERANCES: EXCEPT AS NOTED

MM	X	$\pm 0.50$	ANGLE	$\pm 2^\circ$
	.X	$\pm 0.30$		
	.XX	$\pm 0.20$		
	.XXX	$\pm 0.10$		

DRAWN AY 5/28/18

CHECKED LW 5/28/18

APPROVED

CONFIDENTIAL AND PROPRIETARY

© Adam Tech. All rights reserved. This document contains confidential and proprietary information belonging to Adam Tech. It is provided solely for design and reference purposes by authorized parties. Any reproduction, distribution, display, or disclosure to third parties, in whole or in part, without the prior written consent of Adam Tech, is strictly prohibited. Adam Tech retains all rights, including copyright, trademark, trade secret, and all other intellectual property rights worldwide.

909 Rahway Avenue,  
Union, NJ 07083  
Phone: 908-687-5000  
adam-tech.com

TITLE UNIVERSAL SERIAL BUS, TYPE C 3.1, FEMALE,  
VERTICAL, BLACK INSULATOR, TAPE AND REEL  
TRANSMISSION EFFICIENCY: USB 3.2 Gen 2x2 (20Gb/s)

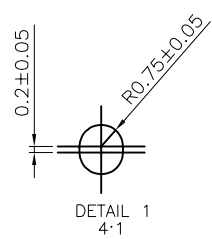
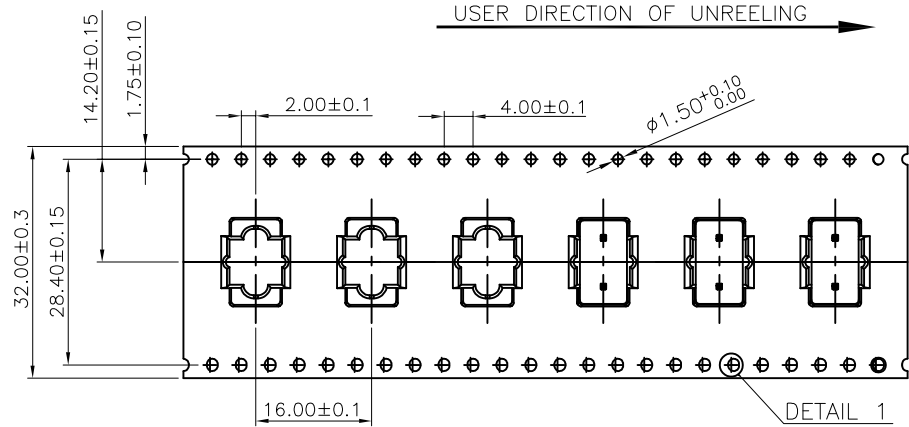
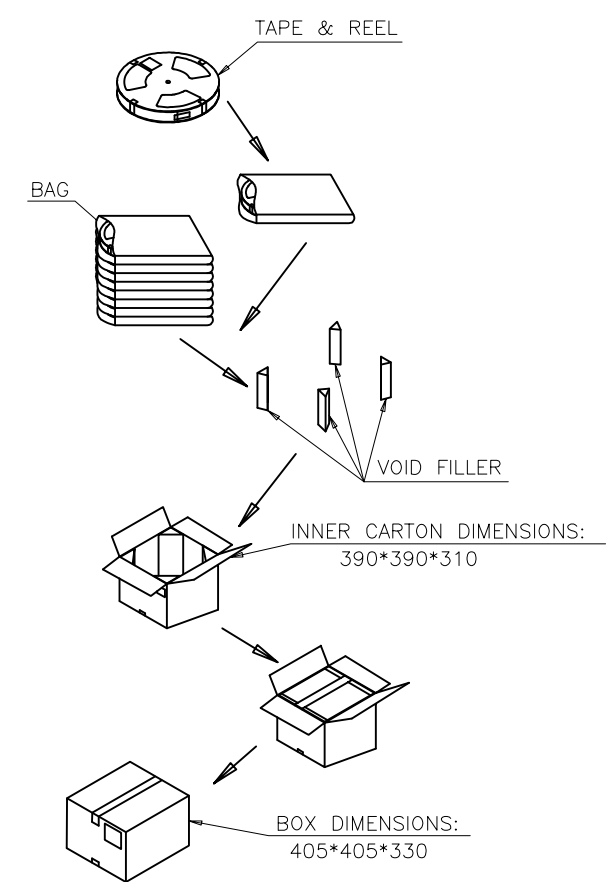
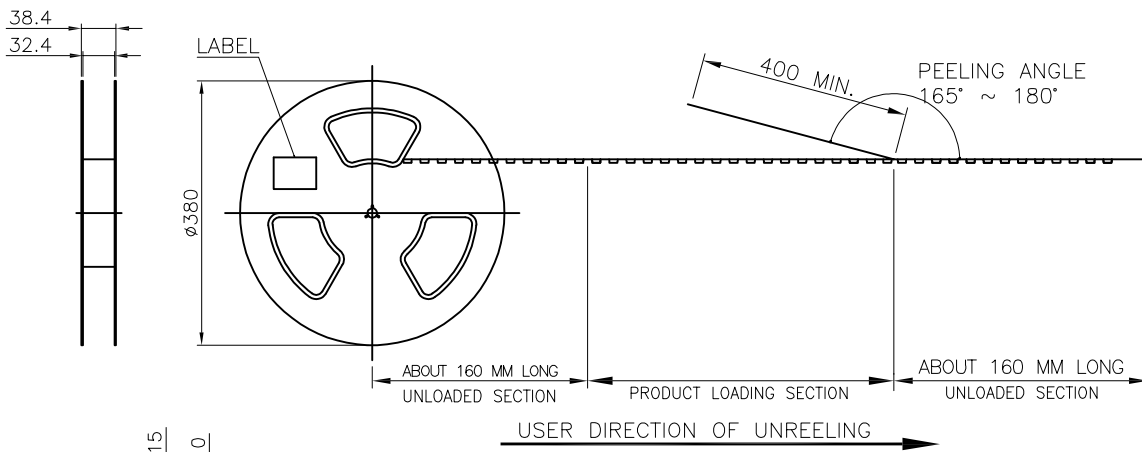
SIZE X	PART NO. USB-C31-S-VT-CS2A-BK-PP-T/R	REV. D
-----------	---	-----------

REF: S00296T	SCALE: NTS	SHEET 2 OF 3
--------------	------------	--------------

APPROVED: \_\_\_\_\_

DATE: \_\_\_\_\_ TITLE: \_\_\_\_\_

Rev	AWO #	Description	Date	Appr
SEE SHT 1 OF 3 FOR REVISION				



NOTE:

- 1. MATERIAL:  
 BOX: FIBREBOARD, CORRUGATED, DOUBLE WALL.  
 TAPE: POLYSTYRENES, HEAT-RESISTANT TEMPERATURE: 120°C, BLACK COLOR.  
 REEL: POLYSTYRENES, HEAT-RESISTANT TEMPERATURE: 70°C, BLUE COLOR.  
 BAG: POLYETHYLENE, HEAT-RESISTANT TEMPERATURE: 100°C.

- 2. PEELING STRENGTH: 0.1 ~ 1.3 N (10 ~ 130 GRAMS)
- 3. PEELING SPEED: 300 mm/min.
- 4. EACH BAG SHALL BE INCLUDED DESICCANT.

400	8	3200 PCS
PCS/ REEL	REELS/ CARTON	QUANTITY

Unit:mm

UNLESS OTHERWISE SPECIFIED ALL DIMENSIONS ARE MILLIMETERS. TOLERANCES: EXCEPT AS NOTED		
MM	X ± 0.50	ANGLE ± 2°
	.X ± 0.30	
	.XX ± 0.20	
	.XXX ± 0.10	
DRAWN	AY	5/28/18
CHECKED	LW	5/28/18
APPROVED		



909 Rahway Avenue,  
 Union, NJ 07083  
 Phone: 908-687-5000  
 adam-tech.com

TITLE UNIVERSAL SERIAL BUS, TYPE C 3.1, FEMALE, VERTICAL, BLACK INSULATOR, TAPE AND REEL TRANSMISSION EFFICIENCY: USB 3.2 Gen 2x2 (20Gb/s)

SIZE X	PART NO. USB-C31-S-VT-CS2A-BK-PP-T/R	REV. D
REF: S00296T	SCALE: NTS	SHEET 3 OF 3

CONFIDENTIAL AND PROPRIETARY  
 © Adam Tech. All rights reserved. This document contains confidential and proprietary information belonging to Adam Tech. It is provided solely for design and reference purposes by authorized parties. Any reproduction, distribution, display, or disclosure to third parties, in whole or in part, without the prior written consent of Adam Tech, is strictly prohibited. Adam Tech retains all rights, including copyright, trademark, trade secret, and all other intellectual property rights worldwide.