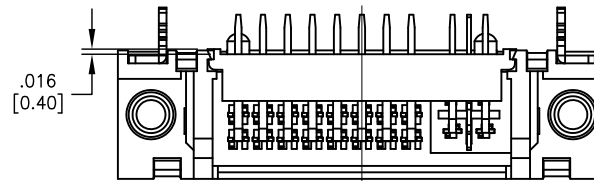
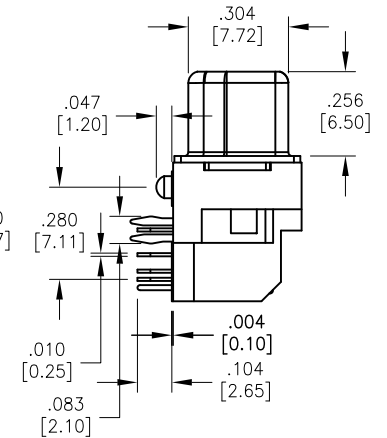
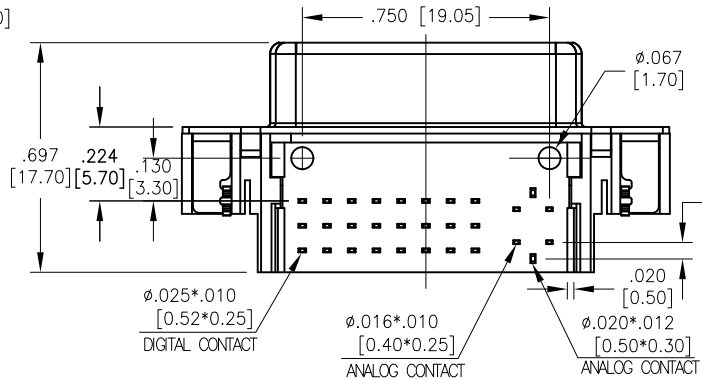
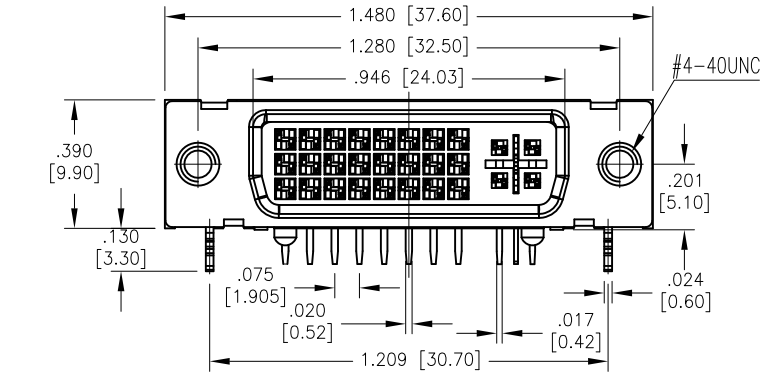
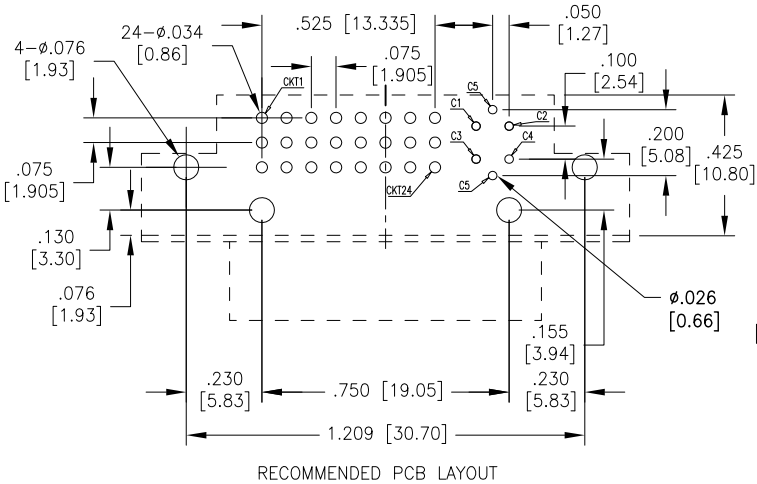


APPROVED: \_\_\_\_\_  
 DATE: \_\_\_\_\_ TITLE: \_\_\_\_\_

Rev	AWO #	Description	Date	Appr
-		RELEASED	5/11/05	
A		REDRAWN	9/26/11	
B		REDRAWN	6/3/14	AY/YC
C		UPDATE DIM.	10/19/15	AY/GC



**SPECIFICATIONS:**

**Material:**  
 Insulator: PBT, glass reinforced, rated UL 94V-0  
 Insulator color: Ivory  
 Latch: PA66, rated UL 94V-0, color: Ivory  
 Contacts: Copper Alloy  
 Shell: SPCC, Nickel plated  
 Boardlock: SPCC, Tin plated  
**Plating:**  
 Gold flash over Nickel underplate on mating area,  
 Tin over Copper underplate on tails  
**Electrical:**  
 Operating voltage: 40 VAC max  
 Current rating: 1.5 Amps max  
 Contact resistance: 20 mohms max  
 Insulation resistance: 1,000 Mohms min  
 Dielectric withstanding voltage: 500 VDC for 1 minute  
 Temperature Rating:  
 Operating temperature: -55°C to +85°C  
**Environmental:**  
 Lead free, RoHS compliant



UNLESS OTHERWISE SPECIFIED  
 ALL DIMENSIONS ARE INCHES [MM]  
 TOLERANCES: EXCEPT AS NOTED  
 INCHES HOLES  
 .X ± .10 Ø.X ± .10  
 .XX ± .020 Ø.XX ± .015  
 .XXX ± .015 Ø.XXX ± .010

APPROVALS		DATE
DRAWN	SS	5/11/05
CHECKED		
APPROVED		

**ADAM TECH**  
 909 Rahway Avenue, Union, NJ 07083  
 Phone: 908-687-5000 Fax: 908-687-5710

TITLE DIGITAL VIDEO INTERFACE SOCKET RIGHT ANGLE, PCB TAILS, ANALOG		
SIZE X	PART NO. DVI-SL-24-2	REV. C
REF: S00027T	SCALE: NTS	SHEET 1 OF 1