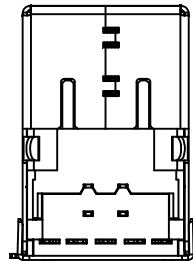
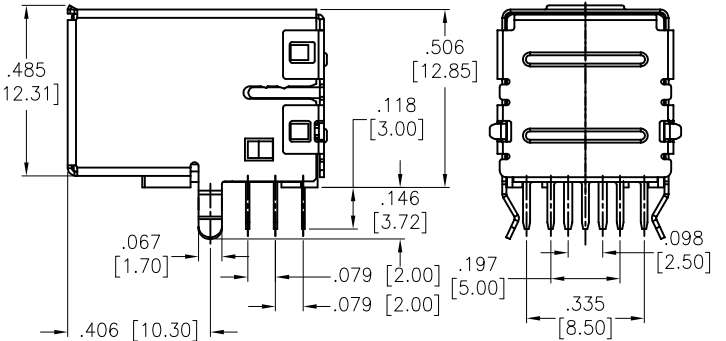
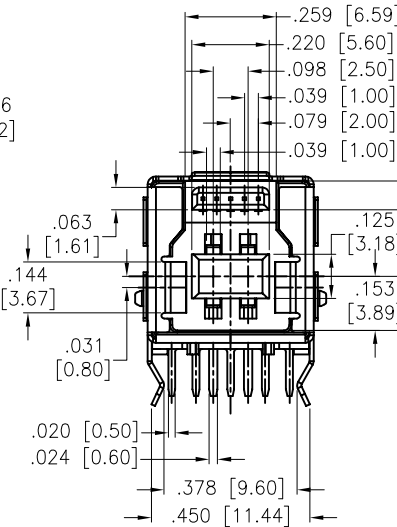
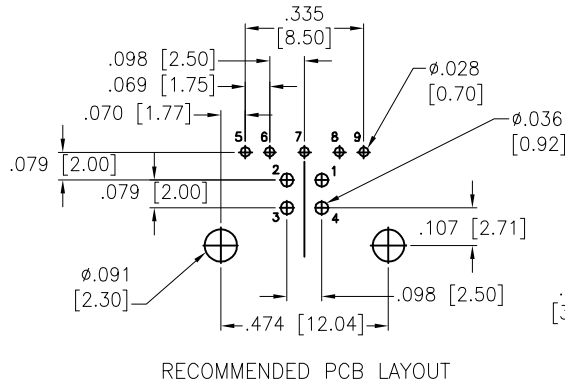
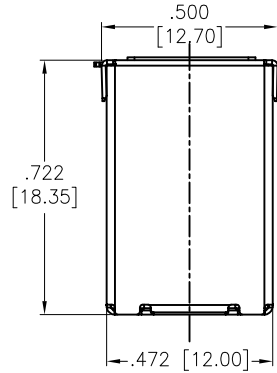


APPROVED: _____

DATE: _____ TITLE: _____

Rev	AWO #	Description	Date	Appr
-		RELEASED	12/18/09	
A		REDRAWN	11/27/13	AY/SS
B		ADDED DIM.	10/7/16	AY/NC
C		UPDATE DRAWING	8/14/18	AY/MY
D		UPDATE SPEC.	11/14/22	LH/LX
E		UPDATE TITLE	6/27/24	JJ/RC
F		UPDATE TITLE	5/11/26	LW1/RC



SPECIFICATIONS:

Material:
 Insulator: PBT, glass reinforced, rated UL 94V-0
 Insulator color: Blue
 Contacts: Phosphor Bronze
 Shell: Brass, nickel plated
 Back Shell: SPCC, nickel plated

Plating:
 Gold over Nickel underplate on contact area,
 Tin over Nickel underplate on solder tails.

Electrical:
 Current rating: 1.8 Amp for Pin1 & Pin4
 0.25 Amp for other Contacts
 Voltage rating: 30 V
 Contact resistance: 30mΩ max for Pin1 & Pin4
 50mΩ for other Contacts.
 Insulation resistance: 100 Mohms min.
 Dielectric withstanding voltage: 100 VAC (RMS)
Temperature Rating:
 Operating temperature: -40°C to +85°C Δ

Environmental:
 Lead free, RoHS compliant.

UNLESS OTHERWISE SPECIFIED ALL DIMENSIONS ARE INCHES [MM]. TOLERANCES: EXCEPT AS NOTED		
.X	± .10	∅X ± .10
INCHES .XX	± .020	HOLES ∅XX ± .015
.XXX	± .015	∅XXX ± .010
DRAWN	DY	12/18/09
CHECKED		
APPROVED		
CONFIDENTIAL AND PROPRIETARY <small>© Adam Tech. All rights reserved. This document contains confidential and proprietary information belonging to Adam Tech. It is provided solely for design and reference purposes by authorized parties. Any reproduction, distribution, display, or disclosure to third parties, in whole or in part, without the prior written consent of Adam Tech, is strictly prohibited. Adam Tech retains all rights, including copyright, trademark, trade secret, and all other intellectual property rights worldwide.</small>		

909 Rahway Avenue,
 Union, NJ 07083
 Phone: 908-687-5000
 adam-tech.com

TITLE		UNIVERSAL SERIAL BUS, TYPE B FEMALE, RIGHT ANGLE, DIP TYPE TRANSMISSION EFFICIENCY: 3.2 Gen 1 (5Gb/s)	
SIZE	PART NO.	REV.	
X	USB-B3-S-RA	F	
REF:	S00005C	SCALE:	NTS
		SHEET	1 OF 1