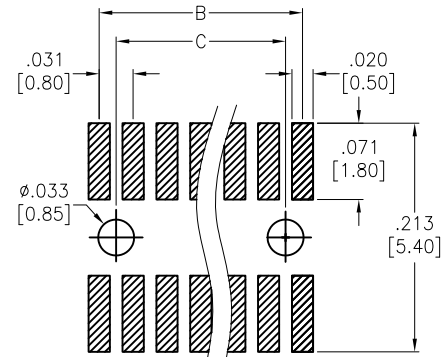
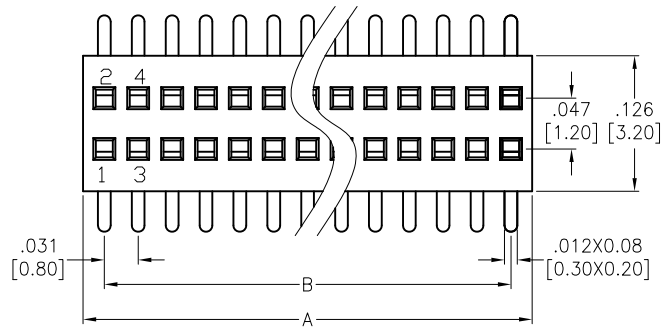
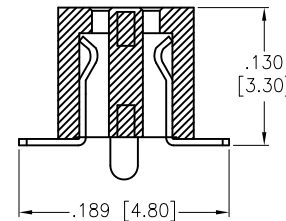
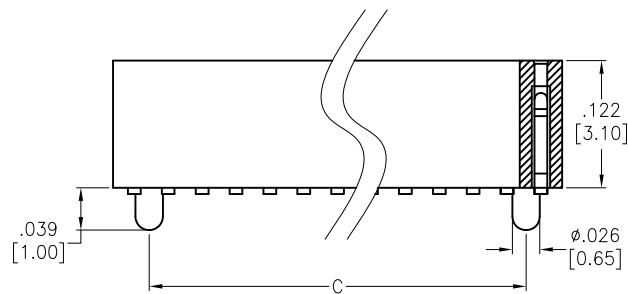


APPROVED: _____
 DATE: _____ TITLE: _____

Rev	AWO #	Description	Date	Appr
-		RELEASED	4/29/16	
A		UPDATE DIM.	7/17/18	AY/RT



RECOMMENDED PCB LAYOUT



SPECIFICATIONS:

Material:
 Insulator: Hi-Temp Thermoplastic, rated UL 94V-0
 Insulator color: Black
 Contacts: Phosphor Bronze
 Plating:
 Gold flash over Nickel underplate overall
 Electrical:
 Current rating: 0.75 Amp
 Contact resistance: 20 mohms max
 Insulation resistance: 1,000 Mohms min.
 Dielectric withstanding voltage: 500 VAC
 Temperature Rating:
 -40°C to +105°C
 Environmental:
 Lead free, RoHS compliant



Positions: 04 thru 100

A= .031 [0.80] x No. of Positions per row + .008 [0.20]

B= .031 [0.80] x No. of Spaces per row

C= .031 [0.80] x No. of Positions per row - .063 [1.60]

UNLESS OTHERWISE SPECIFIED ALL DIMENSIONS ARE INCHES [MM] TOLERANCES: EXCEPT AS NOTED		 909 Rahway Avenue, Union, NJ 07083 Phone: 908-687-5000 Fax: 908-687-5710	
INCHES			
.X ± .10	∅X ± .10	TITLE .031 [0.80] X .047 [1.20] FEMALE HEADER, SMT, DUAL ROW, GOLD PLATED, .122 [3.10] HEIGHT	
.XX ± .020	∅XX ± .015		
.XXX ± .015	∅XXX ± .010		
APPROVALS		DATE	
DRAWN	HR	4/29/16	
CHECKED	CH	4/29/16	
APPROVED			
SIZE	PART NO.	REV.	
X	SRS2Y-XX-U-SMT	A	
REF: S00111C	SCALE: NTS	SHEET 1 OF 1	