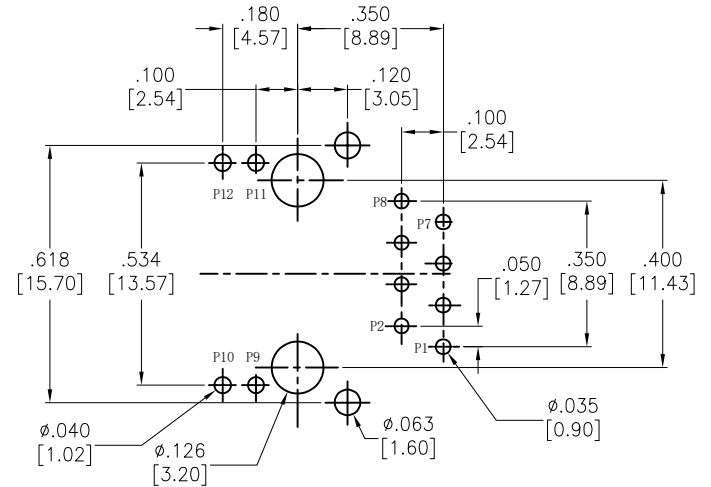
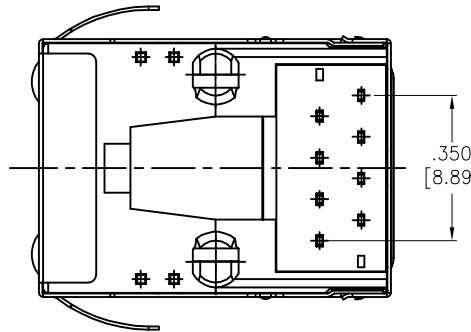
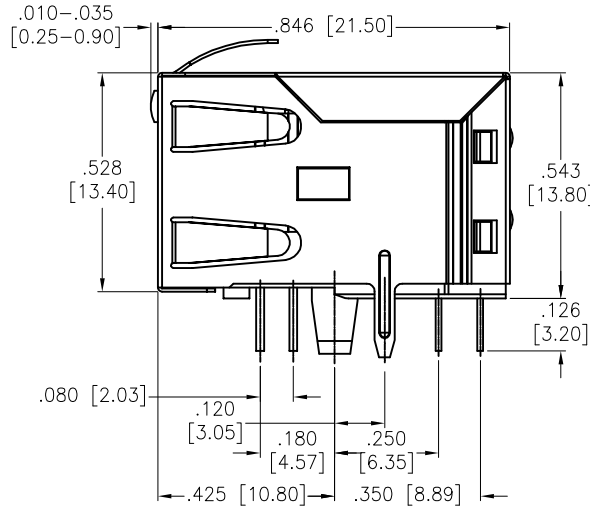
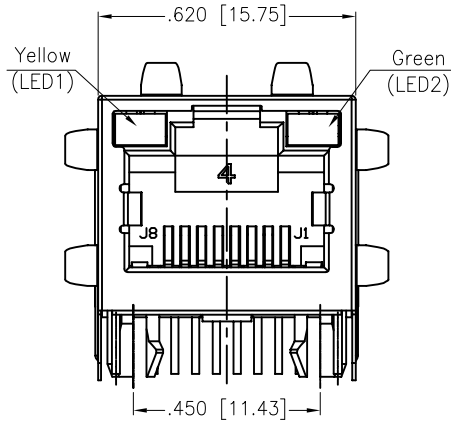


APPROVED: \_\_\_\_\_

DATE: \_\_\_\_\_ TITLE: \_\_\_\_\_

Rev	AWO #	Description	Date	Apr
-		RELEASED	11/12/18	
A		UPDATE DRAWING	1/16/25	LH/MC
B		ADDED PACKING	4/30/26	LW1/MC



**SPECIFICATIONS:**

**Material:**  
Housing: PA66, rated UL 94V-0, Color: Black  
Insert: PA66, rated UL 94V-0, Color: Black  
Contacts: Copper Alloy  
Shield: Brass, Nickel plated

**Plating:**  
Round contact  
Gold over Nickel underplate overall  
Flat contact  
Gold over Nickel underplate on contact area,  
Tin over Nickel underplate on solder tails

**Electrical:**  
Voltage rating: 150 VAC  
Contact Resistance: 20 mohms max  
Insulation resistance: 500 Mohms min  
Dielectric withstanding voltage: 1500 VAC or 2250 VDC

**Temperature Rating:**  
Operating temperature: -0°C to +70°C

**Environmental:**  
Lead free, RoHS compliant.



UNLESS OTHERWISE SPECIFIED ALL DIMENSIONS ARE INCHES [MM]. TOLERANCES: EXCEPT AS NOTED			
.X	± .10	$\phi$ .X	± .10
INCHES .XX	± .020	HOLES $\phi$ .XX	± .015
.XXX	± .015	$\phi$ .XXX	± .010
DRAWN	AY	11/12/18	
CHECKED	NL	11/12/18	
APPROVED			



909 Rahway Avenue,  
Union, NJ 07083  
Phone: 908-687-5000  
adam-tech.com

TITLE  
**MODULAR TELEPHONE JACK, 1 PORT, 8P8C  
W/ LED1 YELLOW, LED2 GREEN**

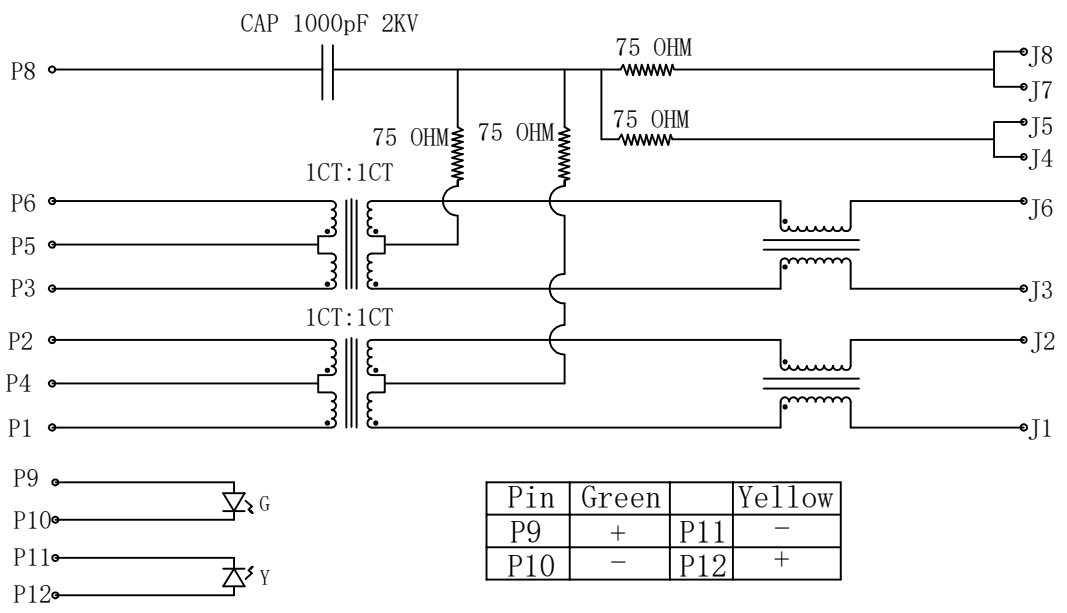
SIZE X	PART NO. MTJ-88TUX1-FSD-PG-VLG1-M4C	REV. B
REF: S00005C	SCALE: NTS	SHEET 1 OF 3

**CONFIDENTIAL AND PROPRIETARY**  
© Adam Tech. All rights reserved. This document contains confidential and proprietary information belonging to Adam Tech. It is provided solely for design and reference purposes by authorized parties. Any reproduction, distribution, display, or disclosure to third parties, in whole or in part, without the prior written consent of Adam Tech, is strictly prohibited. Adam Tech retains all rights, including copyright, trademark, trade secret, and all other intellectual property rights worldwide.

APPROVED: \_\_\_\_\_

DATE: \_\_\_\_\_ TITLE: \_\_\_\_\_

Rev	AWO #	Description	Date	Appr
SEE SHT 1 OF 3 FOR REVISION				



Pin	Green	Yellow
P9	+	P11 -
P10	-	P12 +

**Electronical Specifications:**

- 1.0 Turn Ratio @100KHz: (P1~P2):(J1~J2) = 1:1±5%  
(P3~P6):(J3~J6) = 1:1±5%
- 2.0 Primary Inductance: 350uH MIN @100KHZ,0.1V 8mA DC BIAS
- 3.0 DC Resistance:(J1~J2):(J3~J6) 1.2 OHMS MAX
- 4.0 Insertion Loss: 1-100MHz -1.2dB MAX
- 5.0 Return Loss: 1-30MHz -16dB MIN  
30-60MHz -12dB MIN  
60-80MHz -10dB MIN
- 6.0 CROSS TALK: 1-100MHz -30dB MIN
- 7.0 COMMON TO COMMON MODE ATTENUATION: 1-100MHz -30dB MIN
- 8.0 Isolation: PHY Side to Line Side: 1500VAC or 2250VDC

UNLESS OTHERWISE SPECIFIED ALL DIMENSIONS ARE INCHES [MM]. TOLERANCES: EXCEPT AS NOTED		
.X ± .10	ØX ± .10	
INCHES .XX ± .020	HOLES ØXX ± .015	
.XXX ± .015	ØXXX ± .010	
DRAWN	AY	11/12/18
CHECKED	NL	11/12/18
APPROVED		

**ADAM TECH** 909 Rahway Avenue,  
Union, NJ 07083  
Phone: 908-687-5000  
adam-tech.com

TITLE: **MODULAR TELEPHONE JACK, 1 PORT, 8P8C W/ LED1 YELLOW, LED2 GREEN**

**CONFIDENTIAL AND PROPRIETARY**  
© Adam Tech. All rights reserved. This document contains confidential and proprietary information belonging to Adam Tech. It is provided solely for design and reference purposes by authorized parties. Any reproduction, distribution, display, or disclosure to third parties, in whole or in part, without the prior written consent of Adam Tech, is strictly prohibited. Adam Tech retains all rights, including copyright, trademark, trade secret, and all other intellectual property rights worldwide.

SIZE	PART NO.	REV.
X	MTJ-88TUX1-FSD-PG-VLG1-M4C	B
REF: S00005C	SCALE: NTS	SHEET 2 OF 3

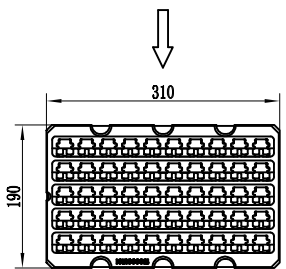
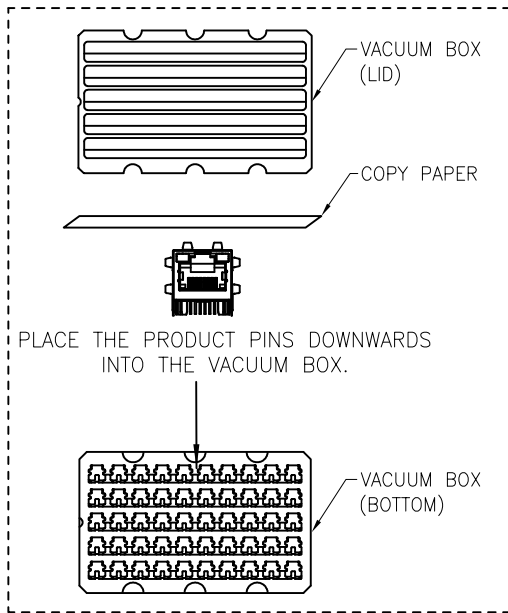
APPROVED: \_\_\_\_\_

DATE: \_\_\_\_\_ TITLE: \_\_\_\_\_

Rev	AWO #	Description	Date	Appr
SEE SHT 1 OF 3 FOR REVISION				

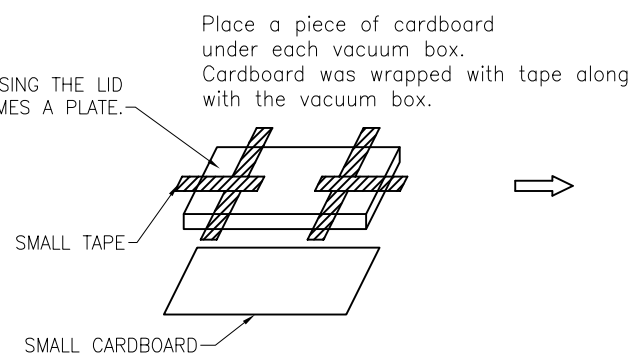
PCS/BOX	BOX/CARTON	PCS/CARTON
50	22	1100

SMALL CARDBOARD: 26 PIECES/BOX (INCLUDING 4 VACUUM BOXES)  
 SMALL TAPE: WIDTH 2CM, 40 YARDS LONG  
 COPY PAPER 300\*195MM: 1 SHEET/REEL (ONE SHEET PER VACUUM BOX)

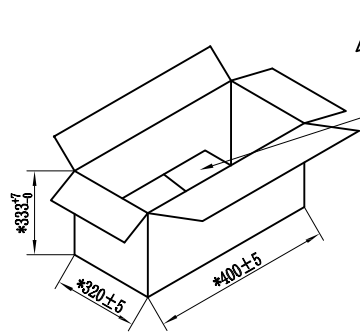
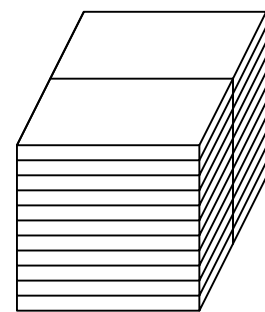


AFTER CLOSING THE LID IT BECOMES A PLATE.

AFTER CLOSING THE LID IT BECOMES A PLATE.



22 BOXES/2 ROW



First, place two pieces of cardboard at the bottom of the carton. After filling the carton with the product, place two more pieces of cardboard on top.

Unit: mm

UNLESS OTHERWISE SPECIFIED ALL DIMENSIONS ARE INCHES [MM]. TOLERANCES: EXCEPT AS NOTED					
.X	± .10	Ø.X	± .10		
INCHES .XX	± .020	HOLES Ø.XX	± .015		
.XXX	± .015	Ø.XXX	± .010		



909 Rahway Avenue,  
 Union, NJ 07083  
 Phone: 908-687-5000  
 adam-tech.com

DRAWN	AY	11/12/18
CHECKED	NL	11/12/18
APPROVED		

TITLE  
**MODULAR TELEPHONE JACK, 1 PORT, 8P8C  
 W/ LED1 YELLOW, LED2 GREEN**

CONFIDENTIAL AND PROPRIETARY  
 © Adam Tech. All rights reserved. This document contains confidential and proprietary information belonging to Adam Tech. It is provided solely for design and reference purposes by authorized parties. Any reproduction, distribution, display, or disclosure to third parties, in whole or in part, without the prior written consent of Adam Tech, is strictly prohibited. Adam Tech retains all rights, including copyright, trademark, trade secret, and all other intellectual property rights worldwide.

SIZE <b>X</b>	PART NO. <b>MTJ-88TUX1-FSD-PG-VLG1-M4C</b>	REV. <b>B</b>
REF: <b>S00005C</b>	SCALE: <b>NTS</b>	SHEET <b>3</b> OF <b>3</b>