

6

5

4

3

2

1

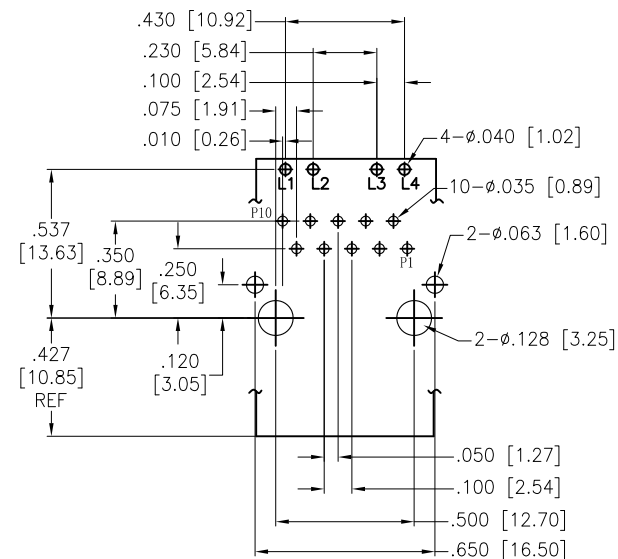
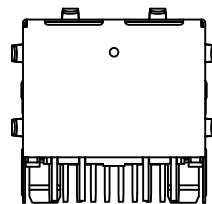
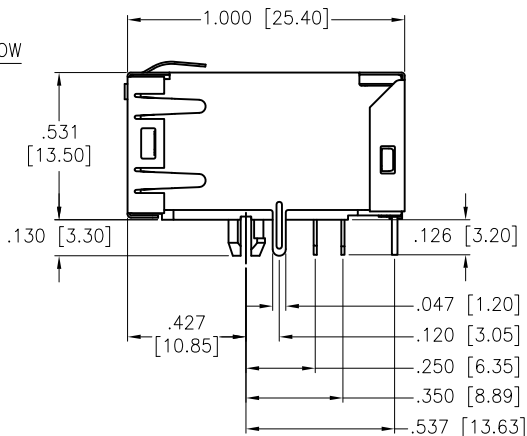
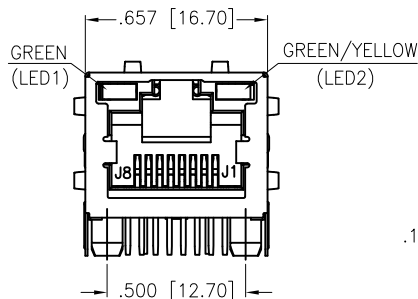
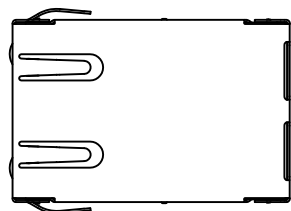
APPROVED: _____

DATE: _____ TITLE: _____

Rev	AWO #	Description	Date	Appr
-		RELEASED	8/17/18	

D

D



RECOMMENDED PCB LAYOUT

C

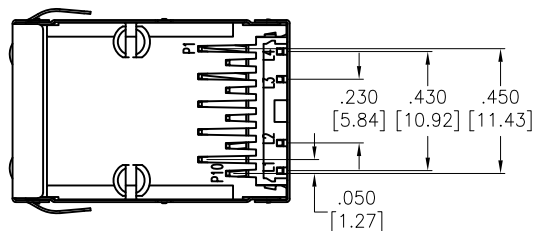
C

B

B

SPECIFICATIONS:

Material:
 Insulator: Thermoplastic, rated UL 94V-0
 Insulator color: Black
 Contacts: Phosphor Bronze
 Solder tail terminal: Brass, Tin plated
 Shield: Stainless, pre-soldering
Plating:
 Round contact
 Gold over Nickel underplate overall
 Flat contact
 Gold over Nickel underplate on contact area,
 Tin over Nickel underplate on solder tails
Electrical:
 Insulation resistance: 500 Mohms min
 Dielectric withstanding voltage: 1,500 VAC or 2,250 VDC for 1 minute
 Temperature Rating:
 Operating temperature: 0°C to +70°C
Environmental:
 Lead free, RoHS compliant.



UNLESS OTHERWISE SPECIFIED ALL DIMENSIONS ARE INCHES [MM] TOLERANCES: EXCEPT AS NOTED		ADAM TECH 909 Rahway Avenue, Union, NJ 07083 Phone: 908-687-5000 Fax: 908-687-5710	
INCHES		INTERCONNECTS	
.X ± .10	Ø.X ± .10	TITLE: MODULAR TELEPHONE JACK, 1 PORT, 8P8C W/ LED1 GREEN LED 2 GREEN/YELLOW	
.XX ± .020	Ø.XX ± .015	SIZE: X PART NO: MTJ-88SX1-FSD-PG-L35-M357Y	
.XXX ± .015	Ø.XXX ± .010	REV: -	
APPROVALS		REF: S00101C SCALE: NTS SHEET 1 OF 2	
DRAWN	HR	DATE: 8/17/18	
CHECKED	AC	DATE: 8/17/18	
APPROVED			

6

5

4

3

2

1

A

A

6

5

4

3

2

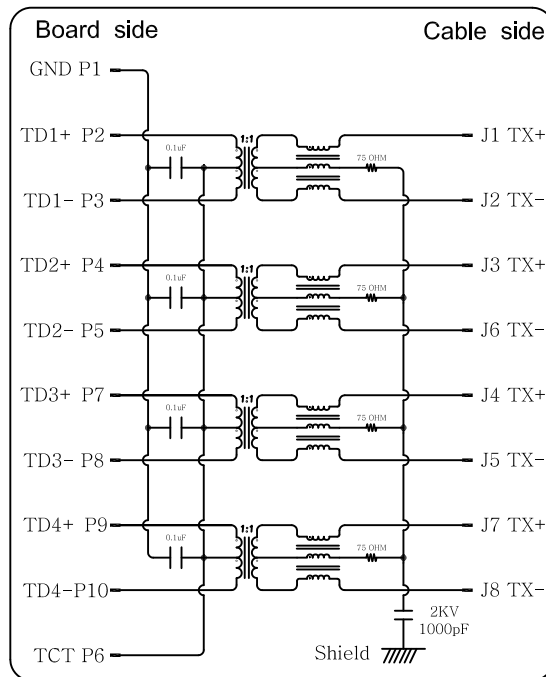
1

APPROVED: _____

DATE: _____ TITLE: _____

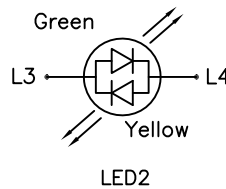
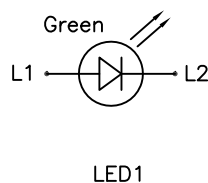
Rev	AWO #	Description	Date	Appr
-----	-------	-------------	------	------

SEE SHT 1 OF 2 FOR REVISION



ELECTRICAL CHARACTERISTICS :

1. INSERTION LOSS :
- 1~100 MHz -1.0dB MAX.
2. RETURN LOSS(LOAD 100Ω) :
- 1~30 MHz -18dB MIN
- 30~60 MHz -16dB MIN
- 60~80 MHz -12dB MIN
- 80~100 MHz -10dB MIN
3. COMMON MODE REJECTION
- 1~100 MHz -30dB MIN
4. CROSS TALK
- 1~100 MHz -30dB MIN
5. INDUCTANCE @ 100KHz, 0.1V, 8mA DC BIAS
- (P2-P3),(P4-P5),(P7-P8),(P9-P10) : 350 uH MIN
6. DCR
- (J1-J2),(J3-J6),(J4-J5),(J7-J8) : 1.2 Ohm MAX
7. HI-POT TEST
- PCB SIDE TO CABLE SIDE : 1500VAC 60S OR 2250VDC 60S
8. TURNS RATION 100KHz
- (P2-P3) : (J1-J2) = 1:1 ±%3
- (P4-P5) : (J3-J6) = 1:1 ±%3
- (P7-P8) : (J4-J5) = 1:1 ±%3
- (P9-P10) : (J7-J8) = 1:1 ±%3



UNLESS OTHERWISE SPECIFIED
ALL DIMENSIONS ARE INCHES [MM]
TOLERANCES: EXCEPT AS NOTED

INCHES		HOLES	
.X	± .10	Ø.X	± .10
.XX	± .020	Ø.XX	± .015
.XXX	± .015	Ø.XXX	± .010

APPROVALS		DATE
DRAWN	HR	8/17/18
CHECKED	AC	8/17/18
APPROVED		

ADAM TECH INTERCONNECTS
909 Rahway Avenue,
Union, NJ 07083
Phone: 908-687-5000
Fax: 908-687-5710

TITLE: MODULAR TELEPHONE JACK , 1 PORT, 8P8C
W/ LED1 GREEN LED 2 GREEN/YELLOW

SIZE X	PART NO. MTJ-88SX1-FSD-PG-L35-M357Y	REV. -
REF: S00101C	SCALE: NTS	SHEET 2 OF 2

6

5

4

3

2

1