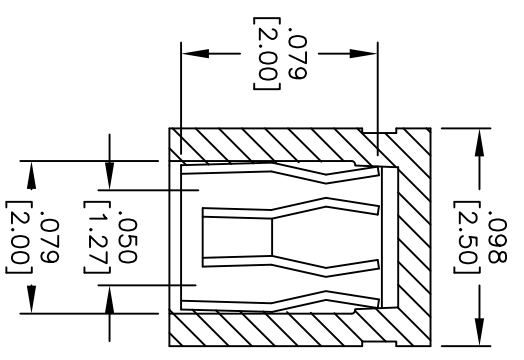
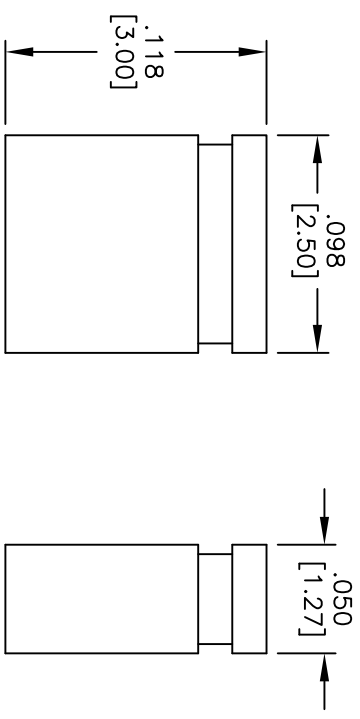


Rev	AWO #	Description	Date	Appr
-		RELEASED	4/08/09	

APPROVED: \_\_\_\_\_  
 DATE: \_\_\_\_\_ TITLE: \_\_\_\_\_



PLATING	ADAM TECH P/N:
GOLD	HMSC-G
TIN	HMSC-T

**SPECIFICATIONS:**

Material: Nylon66, glass reinforced, rated UL 94V-0  
 Insulator color: Black  
 Contacts: Phosphor Bronze

Plating:  
 G = Gold flash over Nickel underplate overall  
 T = Tin over Copper underplate overall

Electrical:  
 Current rating: 1 Amp max  
 Contact resistance: 30 mohms max  
 Insulation resistance: 1,000 Mohms min  
 Dielectric withstanding voltage: 650 VAC for 1 minute  
 Temperature Rating:  
 Operating temperature: -55°C to +105°C

Environmental:  
 Lead free, RoHS compliant

UNLESS OTHERWISE SPECIFIED ALL DIMENSIONS ARE INCHES [MM]	
TOLERANCES: EXCEPT AS NOTED	
INCHES	HOLEES
.X ± .10	Ø.X ± .10
.XX ± .020	Ø.XX ± .015
.XXX ± .015	Ø.XXX ± .010
APPROVALS	DATE
DRAWN	DY
CHECKED	4/06/09
APPROVED	

**ADAM TECH**  
 909 Railway Avenue, Union, NJ 07083  
 Phone: 908-687-5000 Fax: 908-687-5710

TITLE: .050 [1.27] MINI SHUNT, CLOSED TOP  
 .118 [3.00] HEIGHT, COLOR BLACK

SIZE: X PART NO.: HMSC-X  
 REF: S00076T SCALE: NTS SHEET 1 OF 1