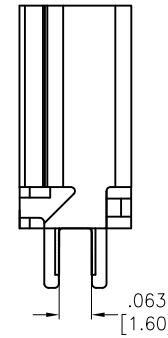
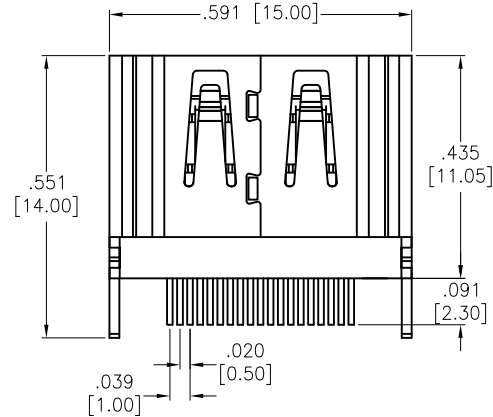
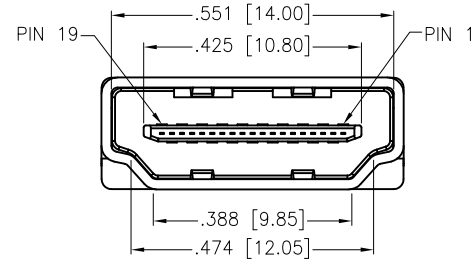


APPROVED: _____
 DATE: _____ TITLE: _____

| Rev | AWO # | Description | Date | Appr |
|-----|-------|----------------|---------|-------|
| - | | RELEASED | 5/5/14 | |
| A | | UPDATE SPEC. | 3/1/17 | AY/MY |
| B | | UPDATE DRAWING | 3/31/17 | AY/MY |



SPECIFICATIONS:

Material:
 Housing: Hi-Temp Thermoplastic, rated UL 94V-0, color: Black
 Insert(Molding): Hi-Temp Thermoplastic, rated UL 94V-0, color: Black
 Retainer: Hi-Temp Thermoplastic, rated UL 94V-0, color: Black
 Contacts: Phosphor Bronze
 Shell: Brass, Nickel plated
 Plating:
 Gold over Nickel underplate on contact area,
 Tin over Nickel underplate on Solder tails.
 Electrical:
 Operating voltage: 30 VAC max
 Current rating: 0.5 Amp per contact.
 Contact resistance: 30 mohms max
 Insulation resistance: 100 Mohms min
 Dielectric withstanding voltage: 500 VAC for 1 minute
 Temperature Rating:
 Operating temperature: -40°C to +85°C
 Environmental:
 Lead free, RoHS compliant.



| | | | |
|---|---------------------------|---|--|
| UNLESS OTHERWISE SPECIFIED ALL DIMENSIONS ARE INCHES [MM] TOLERANCES: EXCEPT AS NOTED | | ADAM TECH 909 Rahway Avenue, Union, NJ 07083 Phone: 908-687-5000 Fax: 908-687-5710 | |
| INCHES HOLES | | | |
| .X ± .10 | ∅.X ± .10 | TITLE HDMI CONNECTOR, VERTICAL, THRU-HOLE STRADDLE MOUNT | |
| .XX ± .020 | ∅.XX ± .015 | | |
| .XXX ± .015 | ∅.XXX ± .010 | | |
| APPROVALS | | DATE | |
| DRAWN | AY | 5/5/14 | |
| CHECKED | SC | 5/5/14 | |
| APPROVED | | | |
| SIZE X | PART NO. HDMI-S-V-1-SM | REV. B | |
| REF: S00097C | SCALE: NTS | SHEET 1 OF 1 | |