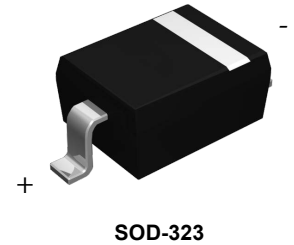


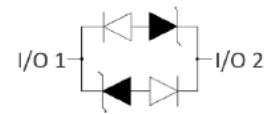
Features

- Peak Pulse Power (8/20us):550W
- Ultra-low capacitance: 0.6pF (typ.)
- IEC61000-4-2 (ESD):±30kV (air)
- IEC61000-4-2 (ESD):±30kV (contact)



Applications

- Ethernet - 10/100/1000 Base T
- Desktops, Servers and Notebooks
- Cellular Phones
- Portable Instruments
- USB Interface
- Analog Inputs



Schematic Diagram

Absolute Maximum Ratings ($T_A=25^{\circ}\text{C}$ unless otherwise specified)

Parameter	Symbol	Max.	Unit
ESD Rating per IEC61000-4-2(Contact)	V_{ESD}	±30	kV
ESD Rating per IEC61000-4-2(Air)		±30	
Peak Pulse Power ($t_p=8/20\mu\text{s}$)	P_{PK}	550	W
Operating Junction Temperature Range	T_J	-45 To +125	$^{\circ}\text{C}$
Storage Temperature Range	T_{STG}	-55 To +150	$^{\circ}\text{C}$

Electrical Characteristics ($T_A=25^\circ\text{C}$ unless otherwise specified)

Part Number	V_{RWM}	V_{BR}	I_{PP}	V_C	I_R	$C_J(\text{pF})$
		$I_T=10\text{mA}$	$t_p=8/20\mu\text{s}$	$I_{PP}=1\text{A}$	@ V_{RWM}	$V_R=0\text{V}, 1\text{MHz}$
	(V)	Min(V)	Max(A)	Max(V)	Max(μA)	Typ(pF)
GSEC3B006	3.3	3.7	25	7	0.1	0.6
GSEC5B006	5	6	20	12	0.1	0.6
GSEC12B006	12	13.5	12	20	0.1	0.6
GSEC15B006	15	17	10	24	0.1	0.6
GSEC18B006	18	20	8	30	0.1	0.6
GSEC24B006	24	27	6	43	0.1	0.6

Typical Electrical and Thermal Characteristic Curves

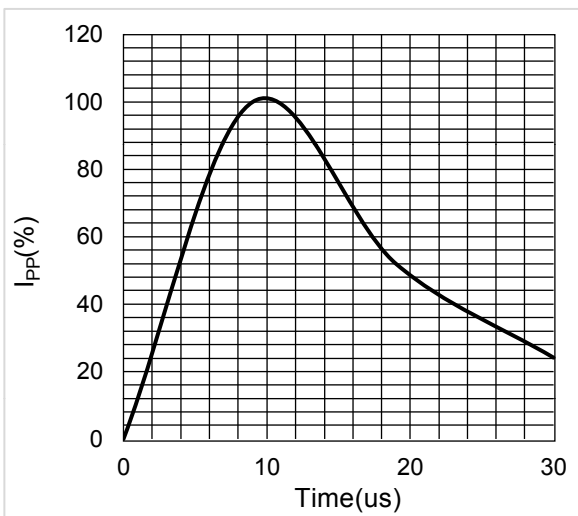


Figure 1. 1-8/20µs Pulse Waveform

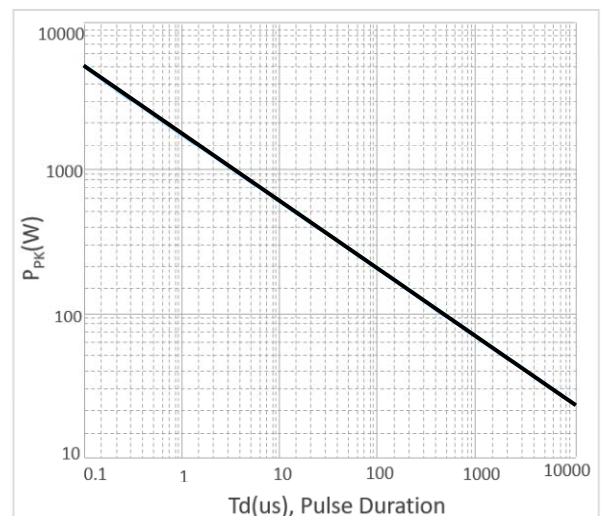
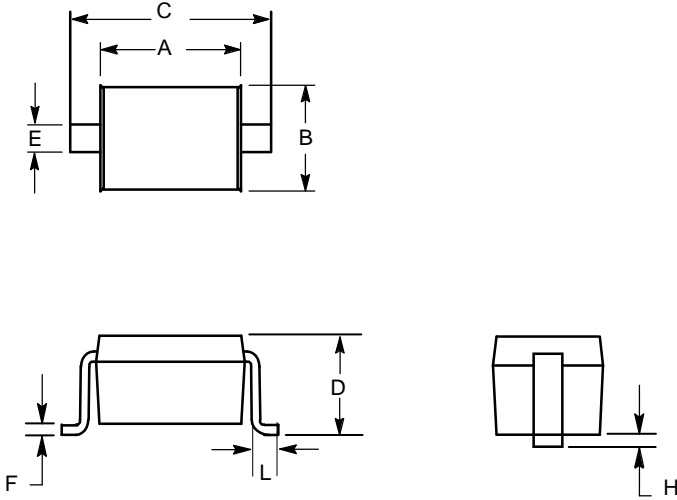


Figure 2. Peak Pulse Power vs Pulse Duration

Package Outline Dimensions (SOD-323)



Dim	millimeters	
	min	max
A	1.50	1.95
B	1.10	1.50
C	2.30	2.75
D	0.80	1.10
E	0.25	0.40
F	0.10	0.25
H	-	0.20
L	0.20	-

Order Information

MPN	Package	Marking	Quantity	HSF Status
GSEC3B006	SOD-323	G(XY) ¹	3000pcs / Reel	RoHS Compliant
GSEC5B006	SOD-323	M(XY) ¹	3000pcs / Reel	RoHS Compliant
GSEC12B006	SOD-323	P(XY) ¹	3000pcs / Reel	RoHS Compliant
GSEC15B006	SOD-323	Q(XY) ¹	3000pcs / Reel	RoHS Compliant
GSEC18B006	SOD-323	R(XY) ¹	3000pcs / Reel	RoHS Compliant
GSEC24B006	SOD-323	S(XY) ¹	3000pcs / Reel	RoHS Compliant

Note: 1. Marking code first digit is device code. Last two digits are lot and date code tracking code.