

6

5

4

3

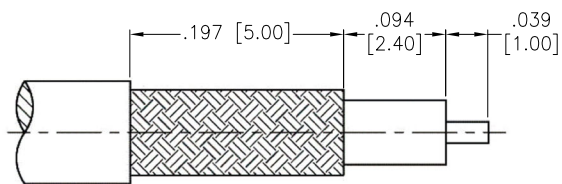
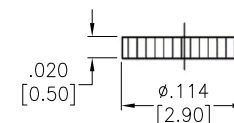
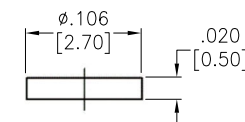
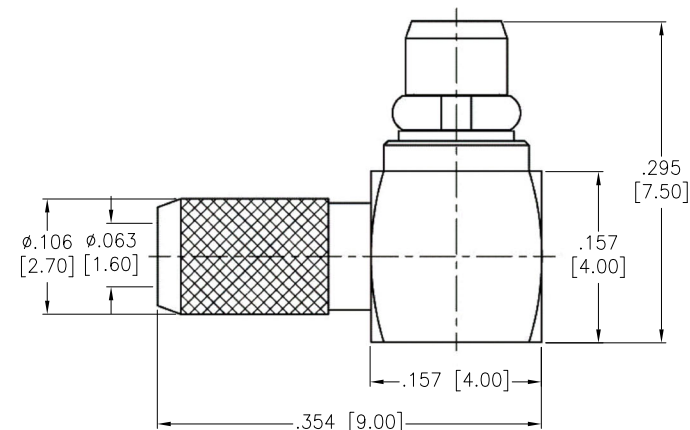
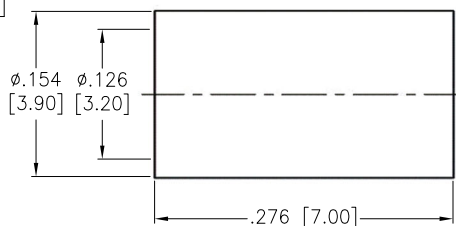
2

1

APPROVED: \_\_\_\_\_

DATE: \_\_\_\_\_ TITLE: \_\_\_\_\_

Rev	AWO #	Description	Date	Appr
-		RELEASED	10/2/15	

RECOMMENDED  
CABLE STRIPPING DIM'S

FERRULE	BRASS	GOLD FLASH
COVER	BRASS	GOLD FLASH
INSULATOR	POM	NATURAL
CONTACT PIN	BRASS	GOLD FLASH
RING	BERYLLIUM COPPER	GOLD FLASH
BODY	BRASS	GOLD FLASH
INSULATOR	PTFE	WHITE
BARREL	BRASS	GOLD FLASH
DESCRIPTION	MATERIAL	FINISH

**SPECIFICATIONS:****Electrical:**

Frequency Range: DC-6 GHz

Normal Impedance: 50 ohm

Operating voltage: 170 VOLTS max.

Proof voltage: 500 VOLTS

VSWR: 1.3 max. @ 3 GHz

**Temperature Rating:**

Operating temperature: -55°C to +155°C

**Environmental:**

Lead free, RoHS compliant.



UNLESS OTHERWISE SPECIFIED  
ALL DIMENSIONS ARE INCHES [MM]  
TOLERANCES: EXCEPT AS NOTED  
INCHES HOLES

.X	± .10	Ø.X	± .10
.XX	± .020	Ø.XX	± .015
.XXX	± .015	Ø.XXX	± .010

APPROVALS		DATE
DRAWN	AY	10/2/15
CHECKED	TW	10/2/15
APPROVED		

**ADAM TECH**

909 Rahway Avenue, Union, NJ 07083  
Phone: 908-687-5000 Fax: 908-687-5710

TITLE  
**RF CONNECTOR, TYPE MMCX, PLUG, R/A**  
**50 OHM, RG-174/U, 316/U, LMR-100**

SIZE <b>X</b>	PART NO. <b>RF12-08B-T-02-50-G</b>	REV. <b>-</b>
REF: <b>S00277T</b>	SCALE: <b>NTS</b>	SHEET <b>1</b> OF <b>1</b>

6

5

4

3

2

1